

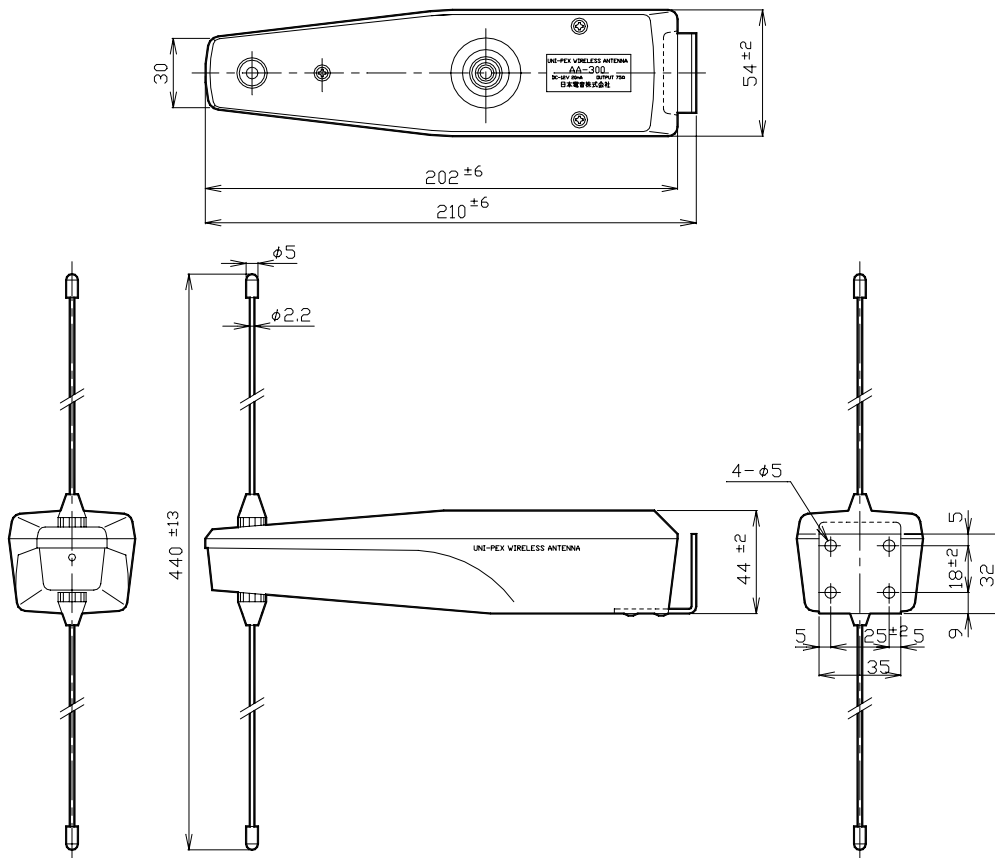
# Specification

**UNI-PEX**

## WIRELESS ANTENNA

### AA-300

POWER SUPPLY	12V DC
CURRENT CONSUMPTION	Approx. 20mA
ANTENNA TYPE	1/2 wave length, dipole antenna
RECEIVING FREQUENCY	322.0MHz ~ 322.4MHz
ANTENNA IMPEDANCE	75Ω
BOOSTER AMPLIFYING GAIN	Approx. 10dB
TEMPERATURE RANGE	0°C ~ +40°C
SUITABLE COAXIAL CABLE	3C-2V, 5C-2B, 5C-FB
CONNECTION	BNC connector or screw plug
FINISH	Case (ABS resin): Off-white Element (Stainless steel)
DIMENSIONS	440mm (total length), 210mm (installed height)
MASS	Approx. 0.2kg
ACCESSORY	Wall mounting bracket x 1, Microphone stand (W5/16) x 1, Screw (φ3x8) x 4, Wood screw (φ4x30) x 4, Instruction manual x 1



UNIT: mm

BUSINESS

AJ05

Subject to change for improvement without notice.

製造元 日本電音株式会社 販売元 ユニペックス株式会社