

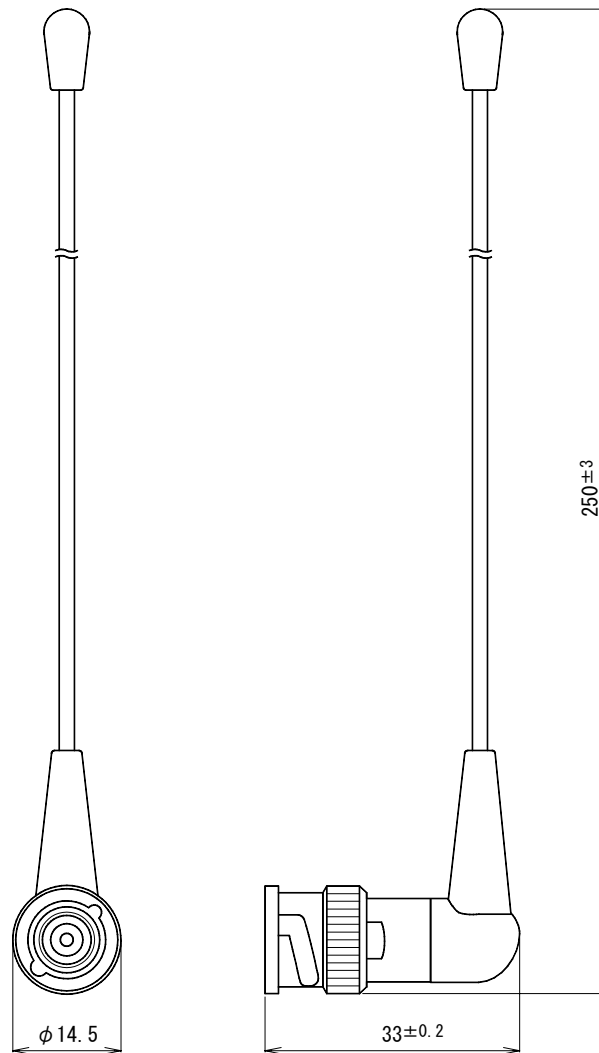
Specification

UNI-PEX

WIRELESS ANTENNA

AA-382

ANTENNA TYPE	Whip antenna
RECEIVING FREQUENCY	322.0MHz~322.4MHz or 806.0MHz~810.0MHz
ANTENNA IMPEDANCE	75Ω
CONNECTION	BNC connector
LENGTH	250mm
MASS	Approx. 17g



Unit: mm

BUSINESS

JD01

Subject to change for improvement without notice.

製造元 日本電音株式会社 販売元 ユニペックス株式会社