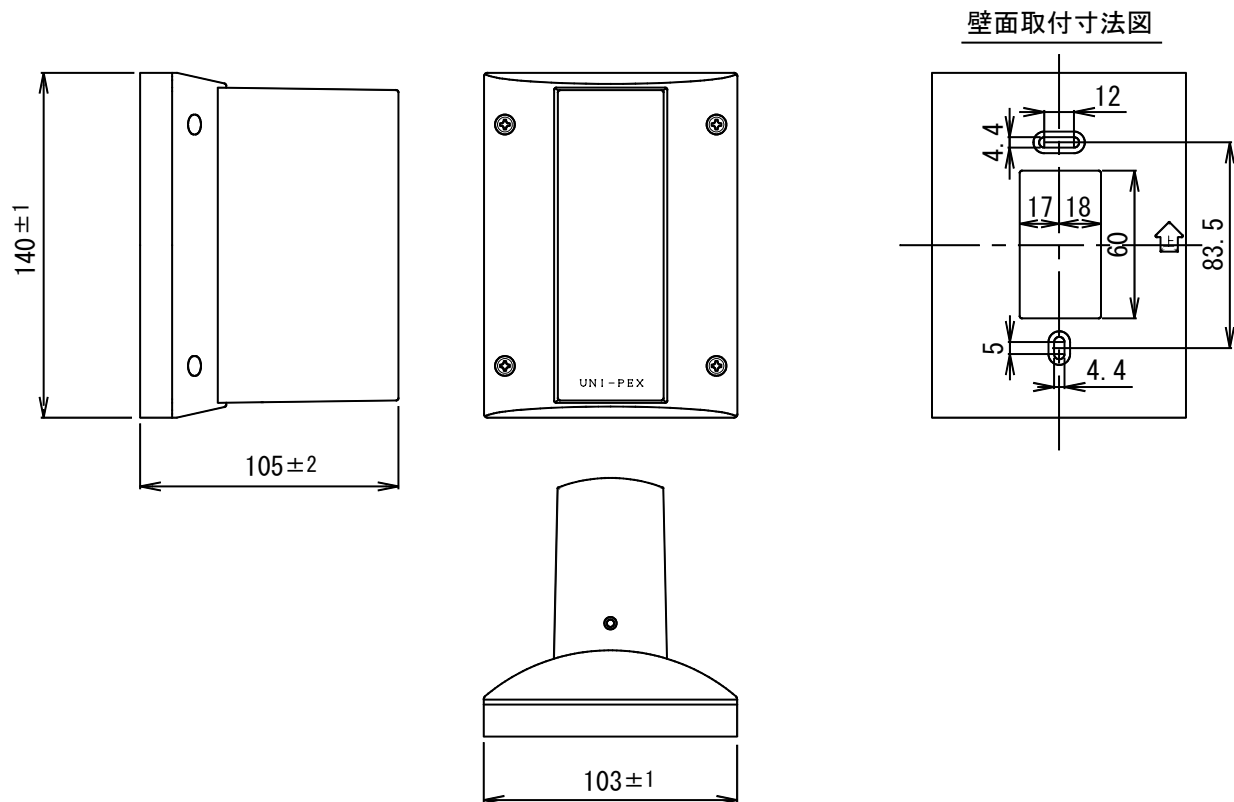


WIRELESS ANTENNA

AA-810

POWER SUPPLY	DC12V (Overlapped with coaxial cable)
CURRENT CONSUMPTION	Approx. 20mA
ANTENNA TYPE	1/2 wave dipole antenna
RECEIVING FREQUENCY	806MHz~810MHz
OUTPUT IMPEDANCE	75Ω
BOOSTER AMPLIFIER GAIN	Approx. 10dB (Possible to switch approx.0dB with switch)
TEMPERATURE RANGE	0°C~+40°C
SUITABLE COAXIAL CABLE	5C-2V, 5C-FB
CONNECTION	BNC connector or screw plug
FINISH	Case (ABS resin) : Light gray (Munsell 5Y8/0.5 approx.)
DIMENSIONS	103(W) x 140(H) x 105(D) mm
MASS	Approx. 280g
ACCESSORIES	Stainless screw(φ4 x 16) x2, Wooden screw(φ4 x 25) x2 Instruction manual x1
APPLICABLE PRODUCT	Diversity wireless receiver WTD-8121, WTD-8141



Unit: mm

BUSINESS

AJ05