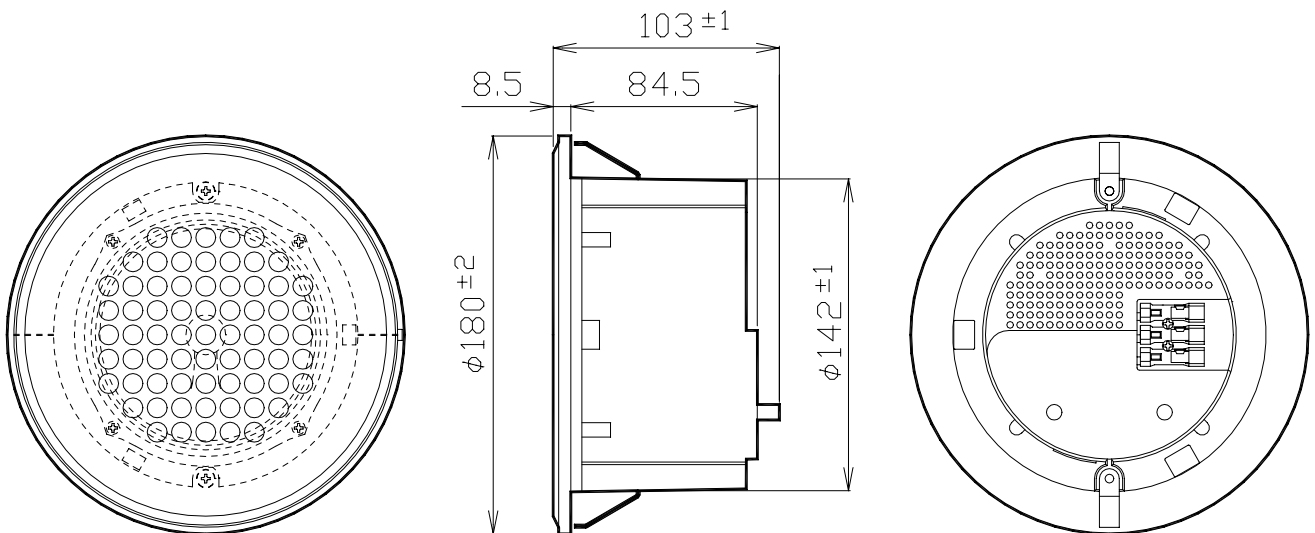


DRIP-PROOF SPEAKER

AH-181A

RATED INPUT	5W
IMPEDANCE	2k Ω (5W)/3.3k Ω (3W) <High Impedance 100 Line>
SOUND PRESSURE LEVEL	88dB (at 1m, 1W input)
FREQUENCY RESPONSE	80Hz~20kHz (Deviation 20dB)
SPEAKER	ϕ 120mm drip-proof dynamic cone speaker 8 Ω
MOUNTING	Snap mount (Mounting hole-size ϕ 150~160mm)
FINISH	ABS Resin: White (Munsell 10GY9/1 Approx.)
DIMENSIONS	ϕ 180 (Diam.) \times 103 (D) mm
MASS	Approx. 750g
ACCESSORY	Instruction manual \times 1



UNIT: mm

BUSINESS

JH01