

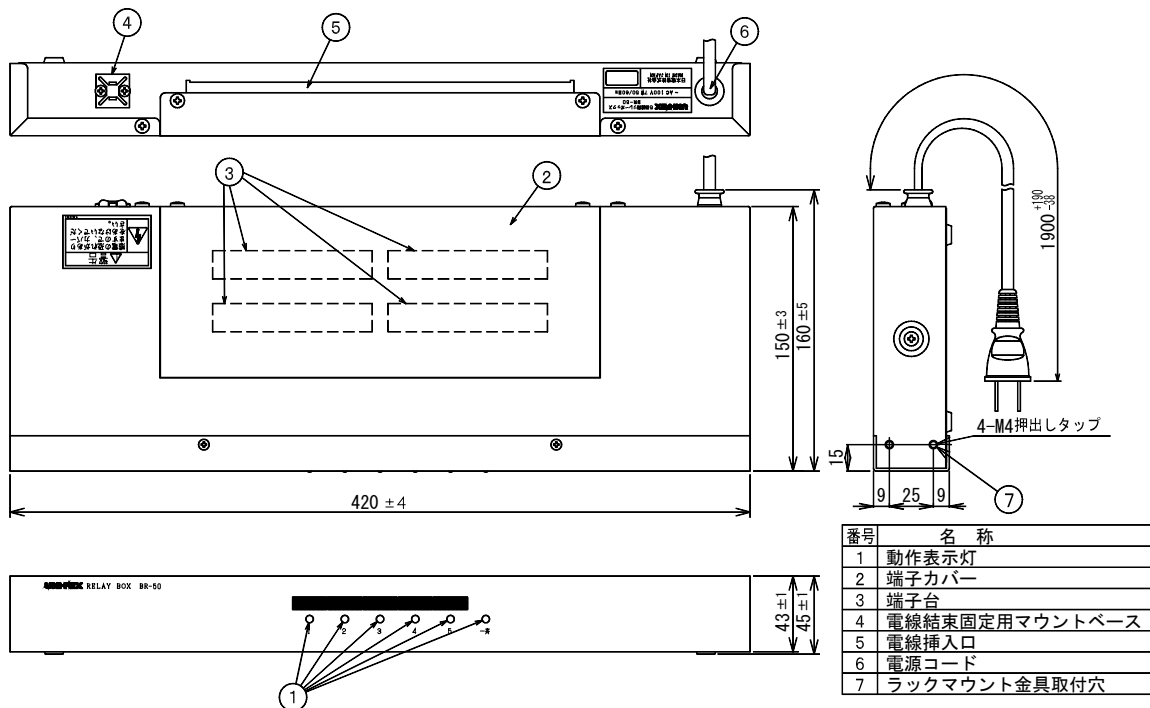
Specification

UNI-PEX

RELAY BOX

BR-50

| | |
|-------------------------|---|
| POWER SUPPLY | AC100V 50/60Hz |
| POWER CONSUMPTION | 7W |
| POWER CONTROL (AMP) | Non-voltage contact.: Contact capacity DC30V, 1A |
| CONTACT CAPACITY | 250W per 1 station 500W per total 5 stations |
| SPEAKER STATION CONTROL | 3-wired type, 5 stations with all-call Remote Microphone precedence system, High impedance only |
| REMOTE CIRCUIT | 1 unit: DC24V, 60mA(max.) per 1 station/90mA(max.) all-call terminal 4 unit: DC24V, 140mA(max.) per 4 stations/350mA(max.) all-call terminal |
| OPERATION INDICATOR | Station: LED (Green) All-call: LED (Red) |
| LINKABLE UNIT | Up to 4 units |
| FINISH | Panel (Steel plate): Half-matt Black Case (Vinyl-laminated steel): Black |
| DIMENSIONS | 420(W) x 45(H) x 160(D) mm |
| MASS | Approx. 2.3kg |



Unit: mm

BUSINESS

JH03

Subject to change for improvement without notice.

製造元 日本電音株式会社 販売元 ユニペックス株式会社