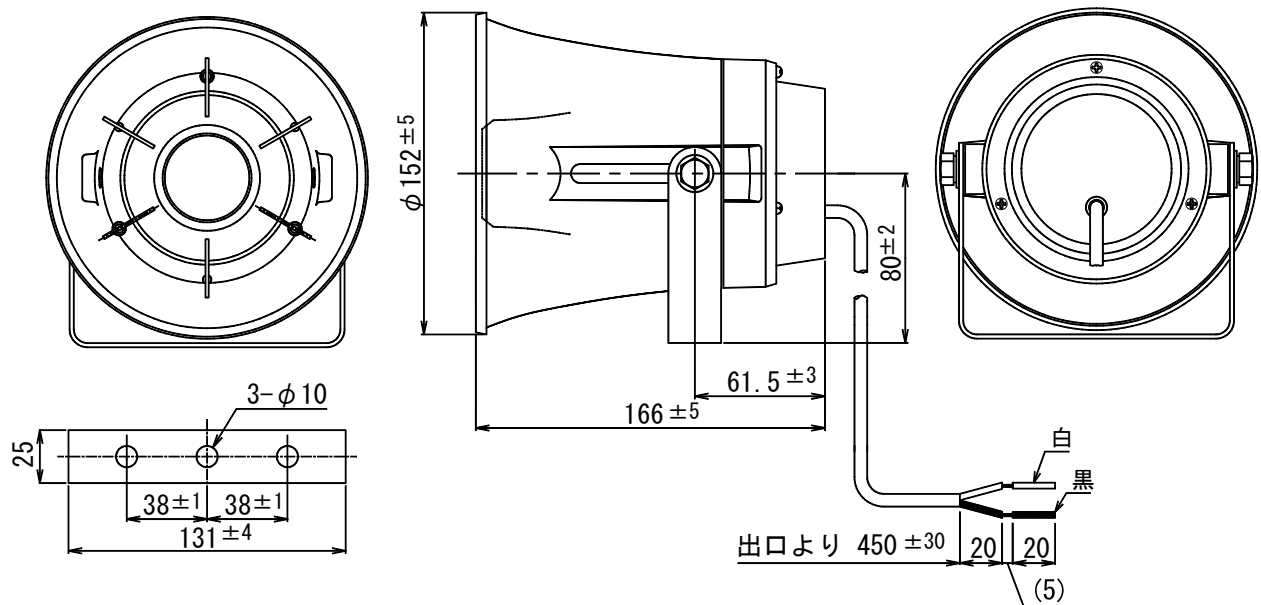


## 5W COMBINATION SPEAKER

### CA-150B

Rated input	5W
Rated impedance	8Ω
Sound pressure level	105dB (1W/1m)
Frequency response	400Hz~7kHz (Deviation ±20dB)
Diffusion	90° x 90° (Horizontal x Vertical, 2000Hz/-6dB)
Fitting metal	U-shape Bracket S size
Finish	Horn mouth (ASA resin) : Silver gray (Munsell approx. 5GY8.5/0.5) Reflector (ASA resin) : Silver gray (Munsell approx. 5GY8.5/0.5) Cover (ASA resin) : Silver gray (Munsell approx. 5GY8.5/0.5) Bracket (SUS304)
Waterproof performance	IP 65
Dimensions	φ152 x 166 (L) mm
Mass	Approx. 1.1kg
Input terminal	2-core wire code VCTF0.5 x 2C (+:Black, COM:White)
Applicable standard	JIS C 5504, JIS C 0920(=IEC 60529, IP65)
Accessories	Instruction manual x1



Unit: mm

BUSINESS