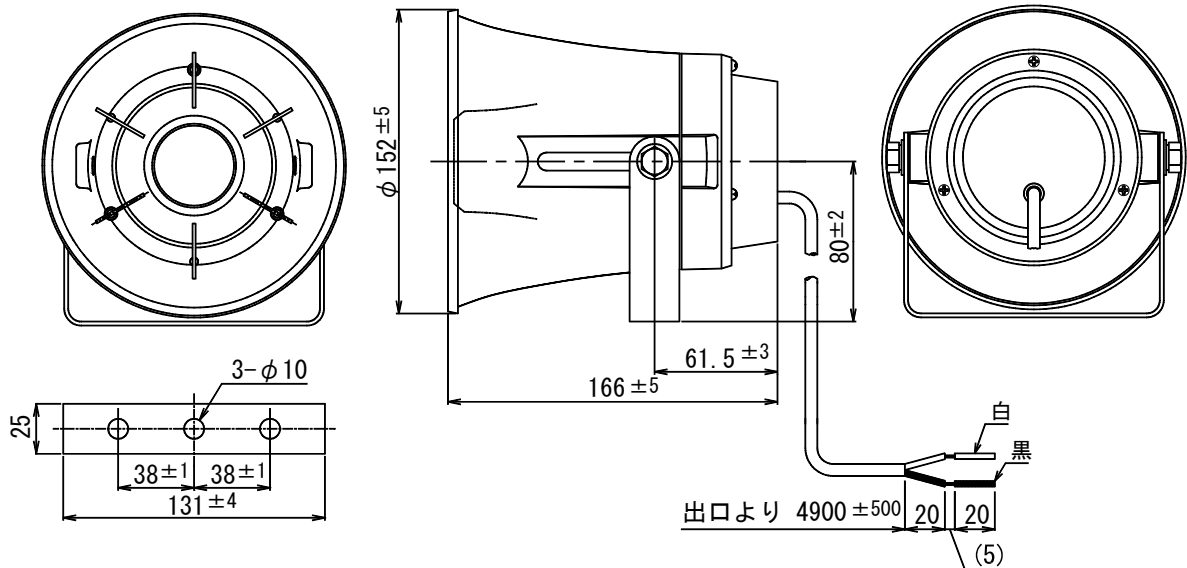


## 5 W COMBINATION SPEAKER for VESSEL

### CA-150BS

|                      |   |
|----------------------|---|
| Rated input          | 5W  |
| Rated impedance      | 8Ω  |
| Sound pressure level | 104dB(1W/1m)  |
| Frequency response   | 400Hz~5kHz (deviation ±20dB)  |
| Directive            | 90° x 90° (Horizontal x Vertical, 2000Hz/-6dB)                      |
| Fitting metal        | U-shape Bracket S size  |
| Finish               | Horn mouth (ASA resin) : Silver gray (Munsell approx. 5GY8. 5/0. 5) |
|                      | Reflector (ASA resin) : Silver gray (Munsell approx. 5GY8. 5/0. 5)  |
|                      | Cover (ASA resin) : Silver gray (Munsell approx. 5GY8. 5/0. 5)      |
|                      | Bracket (SUS304)  |
| Dimensions           | φ152 x 166 (L) mm   |
| Mass                 | Approx. 1.1kg   |
| Input terminal       | 2-core wire code VCTF0. 5×2C(+:Black, COM:White)                    |
| Applicable standard  | JIS C 0920(=IEC 60529, IP65)  |
| Accessories          | Instruction manual x1   |



Unit: mm

BUSINESS

J108