

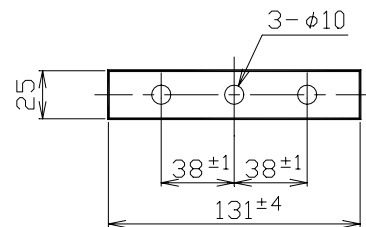
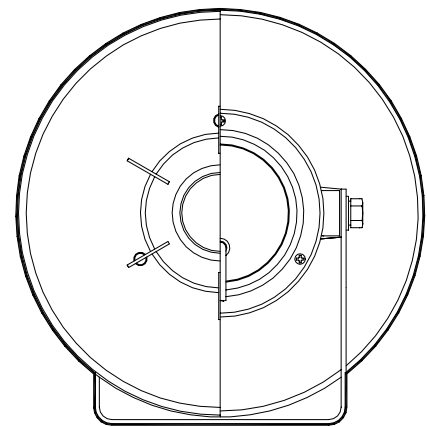
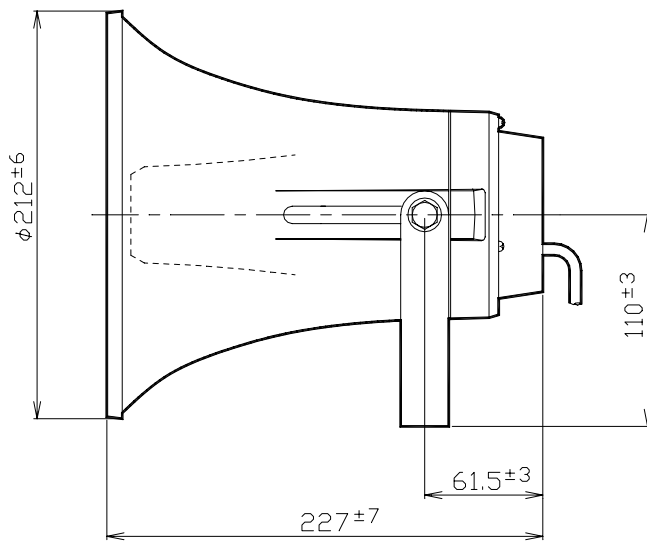
Specification

UNI-PEX

COMBINATION SPEAKER

CA-210B

RATED INPUT	10W
IMPEDANCE	8Ω
SOUND PRESSURE LEVEL	105dB (at 1m, 1W input)
FREQUENCY RESPONSE	320Hz~7kHz (Deviation 20dB)
DIFFUSION	60° x 60° (Vertical x Horizontal) (2000Hz/-6dB)
FINISH	Horn mouth (ASA resin) : Silver gray (Munsell approx. 5GY8. 5/0. 5) Reflector (ASA resin) : Silver gray (Munsell approx. 5GY8. 5/0. 5) Cover (ASA resin) : Silver gray (Munsell approx. 5GY8. 5/0. 5) Bracket (SUS304)
FITTINGS	Outer Screws: (Stainless Steel) U-shape Bracket
WATERPROOF PERFORMANCE	IP 65
DIMENSIONS	φ212 (Diam.) × 227 (Length) mm
MASS	Approx. 1.4kg



UNIT: mm

BUSINESS

J110

Subject to change for improvement without notice.

製造元 日本電音株式会社 販売元 ユニペックス株式会社