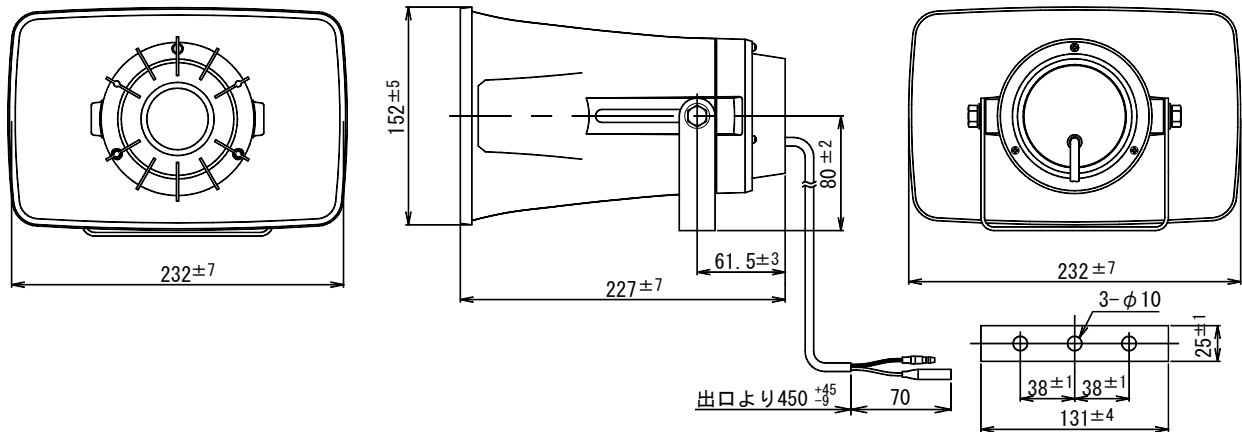


COMBINATION SPEAKER

CK-230A

RATED INPUT	10W
IMPEDANCE	8Ω
SOUND PRESSURE LEVEL	105dB (at 1m, 1W input)
FREQUENCY RESPONSE	320Hz~7kHz (Deviation 20dB)
DIFFUSION	60° x 90° (Horizontal x Vertical, 2000Hz/-6dB)
FINISH	Horn mouth (ASA resin) : Silver gray (Munsell approx. 5GY8. 5/0. 5) Reflector (ASA resin) : Silver gray (Munsell approx. 5GY8. 5/0. 5) Cover (ASA resin) : Silver gray (Munsell approx. 5GY8. 5/0. 5) Bracket (SUS304)
FITTINGS	Outer Screws: (Stainless Steel) U-shape Bracket, S-size
DIMENSIONS	232(W) x 152(H) x 227(L) mm
MASS	Approx. 1.3kg



UNIT: mm

BUSINESS