

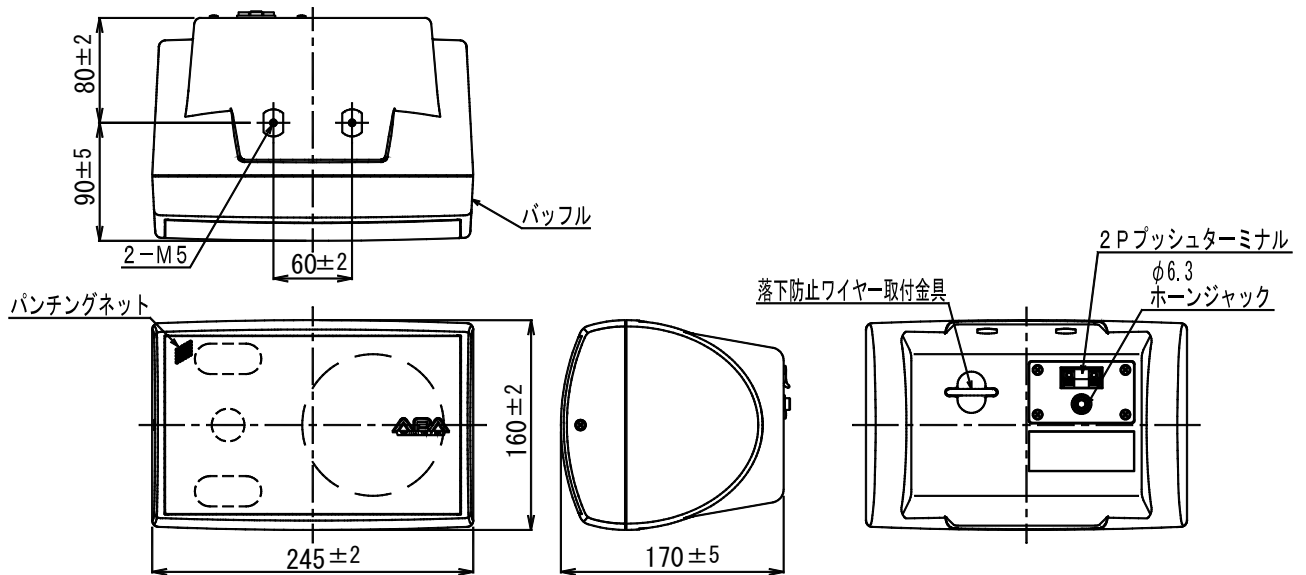
Specification

UNI-PEX

COMPACT 2-WAY SPEAKER

CRB-50

POWER HANDLING CAPACITY	50W (RMS/EIA) 100W (Continuous program)
IMPEDANCE	8Ω
SOUND PRESSURE LEVEL	90dB (at 1m1W)
FREQUENCY RESPONSE	80Hz~20kHz (deviation ±20dB)
CROSSOVER FREQUENCY	4kHz
DIRECTIVE	120° x 90° (Horizontal x Vertical, -6dB)
SPEAKER	Φ120mm cone speaker Φ25mm dome tweeter
FINISH	Enclosure (PP resin): Half-matt Black (Munsell Approx. N1.5) Baffle (PP resin): Half-matt Black (Munsell Approx. N1.5) Grill screen (Punching metal): Half-matt Black (Munsell Approx. N1.5)
DIMENSIONS	245(W) x 160(H) x 170(D) mm
MASS	Approx. 3.4kg
ACCESSORIES	Instruction manual x 1



Unit: mm

Business

JG12

Subject to change for improvement without notice.

製造元 日本電音株式会社

販売元 ユニペックス株式会社