

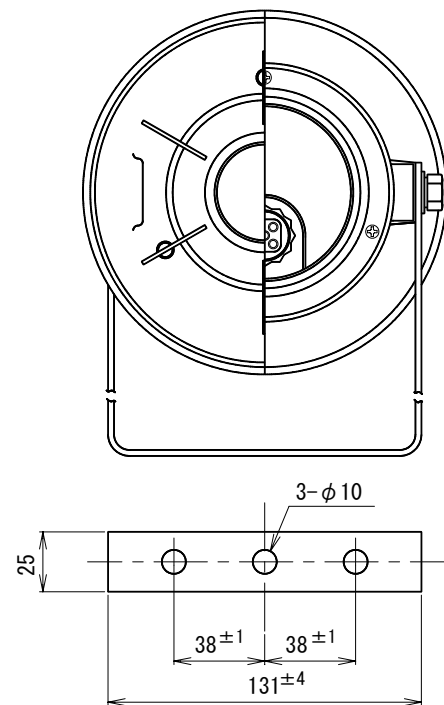
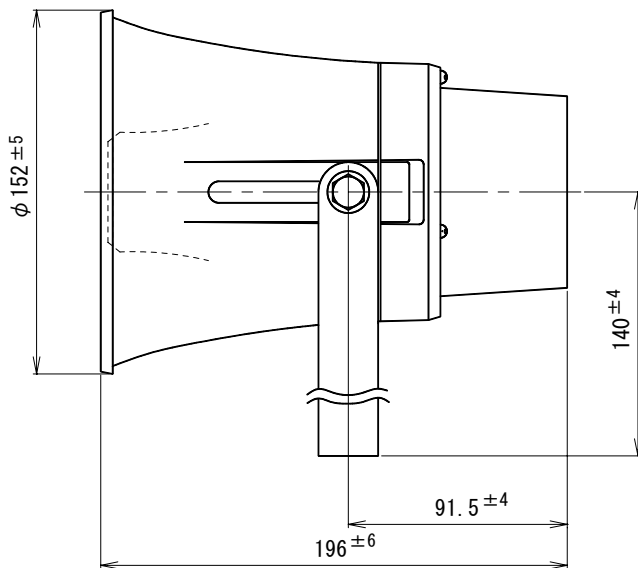
Specification

UNI-PEX

COMBINATION SPEAKER WITH BUILT-IN TRANSFORMER

CT-150B

RATED INPUT	5W
IMPEDANCE	2kΩ (5W)/4kΩ (2W)/10kΩ (1W) <High Impedance 100 Line>
SOUND PRESSURE LEVEL	104dB (at 1m, 1W input)
FREQUENCY RESPONSE	400Hz ~ 7kHz (Deviation 20dB)
DIFFUSION	90° x 90° (Horizontal x Vertical, 2000Hz/-6dB)
FINISH	Horn Mouth: (ASA Resin), Silver Gray (Munsell 5GY8.5/0.5 approx.) Reflector: (ASA Resin), Silver Gray (Munsell 5GY8.5/0.5 approx.) Cover: (ASA Resin), Silver Gray (Munsell 5GY8.5/0.5 approx.) Bracket: (SWCH6R), Hot Dip Zincing
FITTINGS	U-shape Bracket, S-size
APPLICABLE STANDARD	JIS C 0920(=IEC 60529, IP65)
DIMENSIONS	φ 152 (Diam.) × 196 (Length)mm
MASS	Approx. 1.3kg



UNIT: mm

BUSINESS

J108

Subject to change for improvement without notice.

製造元 日本電音株式会社 販売元 ユニペックス株式会社