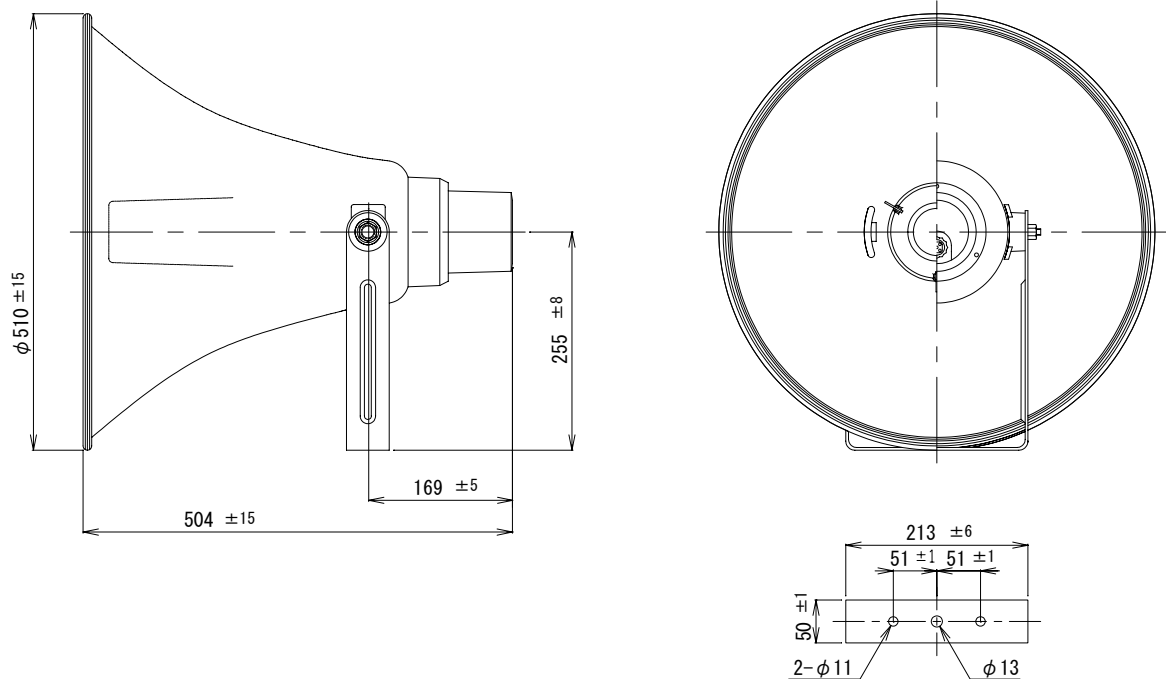


COMBINATION SPEAKER WITH BUILT-IN TRANSFORMER

CT-510B

RATED INPUT	30W
IMPEDANCE	330 Ω (30W)/500 Ω (20W)/670 Ω (15W) <High Impedance 100V Line>
SOUND PRESSURE LEVEL	108dB (at 1m, 1W input)
FREQUENCY RESPONSE	225Hz~7kHz (Deviation 20dB)
FINISH	Horn Mouth: (Aluminum), Light Gray (Munsell N7.0 approx.) Reflector: (ABS Resin), Light Gray (Munsell N7.0 approx.) Cover: (ABS Resin), Gray (Munsell N4.0 approx.) Bracket: (SPHC), Hot-dip galvanizing
FITTINGS	U-shaped Bracket, L-size
APPLICATION STANDARD	JIS C 0920(=IEC 60529, IP65)
DIMENSIONS	φ 510 (Diam.) × 504 (Length) mm
WEIGHT	Approx. 4.3kg



UNIT: mm

BUSINESS

JH09