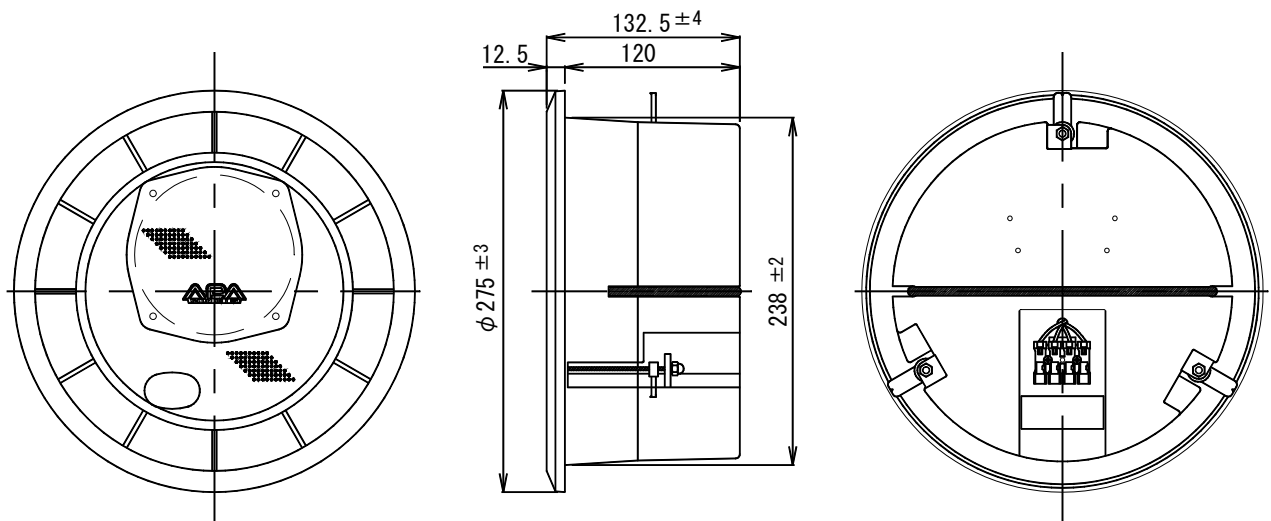


CEILING SPEAKER WITH TRANSFORMER

DCS-60T

INPUT	30W(RMS/EIA-426-A)
IMPEDANCE	330Ω (30W) 500Ω (20W) 1kΩ (10W) (100V line)
SOUND PRESSURE LEVE	89dB (1W/1m)
FREQUENCY RESPONSE	60Hz~15kHz ±20dB
DIRECTIVE	170° x 155° (at 2000Hz, -6dB)
SPEAKER	φ12cm Cone type speaker
FINISH	Unit (PS resin): White (Munsell N9.5 approx.) Panel (ABS resin): White (Munsell N9.5 approx.) Punching net (Aluminum): Semi-matt White (Munsell N9.5 approx.)
MOUNTING HOLE-SIZE	φ240mm~φ250mm
DIMENSIONS	φ275 x 132.5 (D) mm
MASS	Approx. 3.3kg
ACCESSORIES	Instruction manual x1, Panel x1, Wire x1



Unit: mm

BUSINESS

AJ08