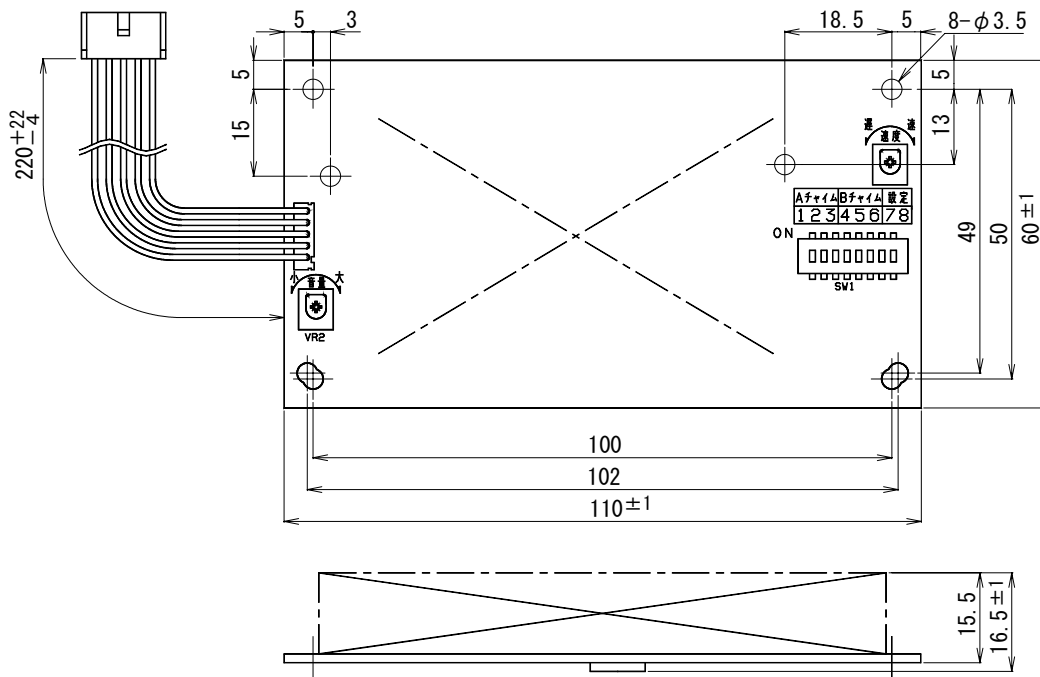


## CHIME UNIT

### EC-44

POWER SUPPLY	DC12V~15V (supplied from connected equipment)
CURRENT CONSUMPTION	15mA or less
OUTPUT	-22dBV±3dB 10kΩ unbalanced
CHIME FREQUENCY	4 tones (Up & Down) control with DIP switch 440Hz/554Hz/659Hz/880Hz
CHIME INTERVAL	Normal: 500ms (Variable range) 20.4ms~1048ms
TEMPERATURE RANGE	-10°C~+50°C
DIMENSIONS	60(W) x 16.5(H) x 110(D) mm
MASS	Approx. 40g
ACCESSORIES	Screw (Black, φ3×6) x4, Screw (Black, M3×6) x4, Fitting metal x1, Starting button knob x1, Indication label x1, Instruction manual x1



Unit:mm

BUSINESS

JD03