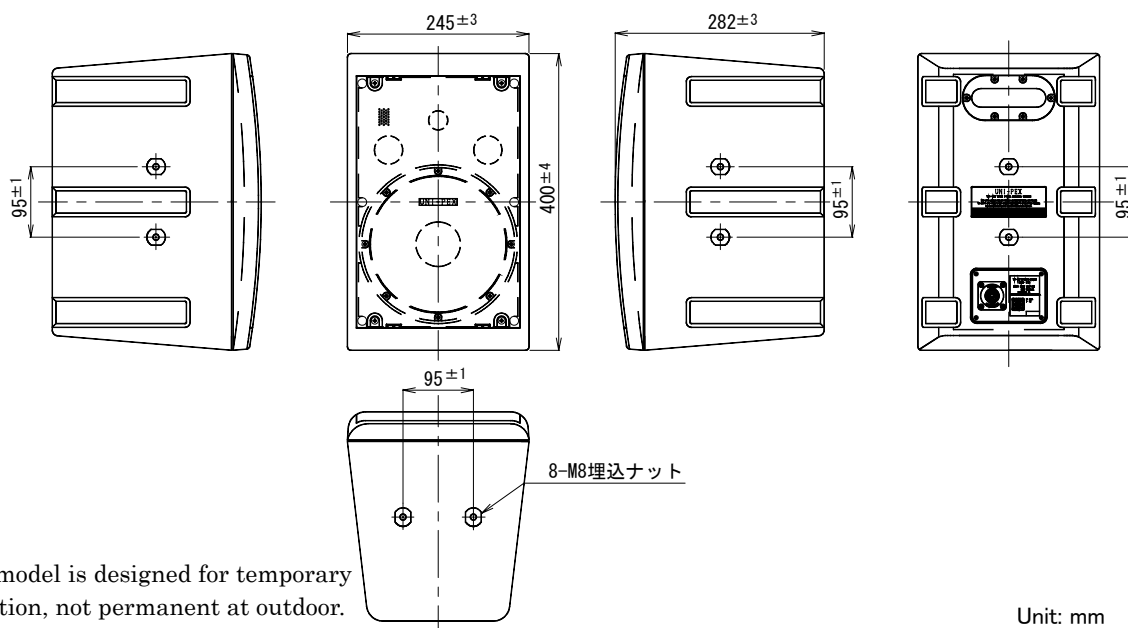


SPLASH-PROOF TYPE 2-WAY SPEAKER

EWS-120

RATED INPUT	120W (RMS/EIA) 240W (Continuous program)
IMPEDANCE	8 Ω
SOUND PRESSURE LEVEL	93dB (at1W/1m)
FREQUENCY RESPONSE	60Hz~20kHz
CROSSOVER FREQUENCY	6.5kHz
DIRECTIVE	100° x 100° (Horizontal x Vertical, 4kHz)
SPEAKER	Bass φ200mm cone type speaker Treble φ25mm dome tweeter
FINISH	Enclosure (PP resin): Half-matt Black (Munsell Approx. N1.5) Baffle (PP resin): Half-matt Black (Munsell Approx. N1.5) Grill screen (Punching metal) : Half-matt Black (Munsell Approx.1.5)
CONNECTOR	Drip-proof type connector: Neutrik Speakon NLT4MP-BAG
DIMENSIONS	245(W) x 400(H) x 282(D) mm
MASS	Approx. 7kg
TEMPERATURE RANGE	-10°C ~ +55°C
ACCESSORIES	Instruction manual x1, Rubber cap x8, Speaker code (20m, Speaker :Drip-proof 4P, Amp.: XLR type plug) x1



BUSINESS

JH01