

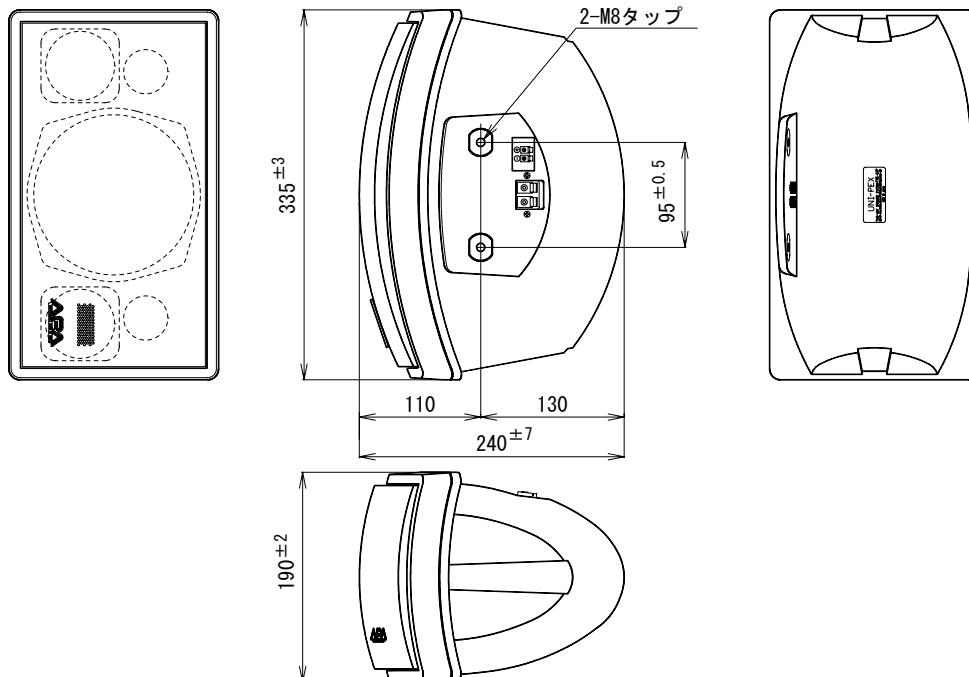
Specification

UNI-PEX

2 WAY SPEAKER

FMS-60P

RATED INPUT	60W (RMS/EIA) 120W (Continuous program)
IMPEDANCE	8Ω
SOUND PRESSURE LEVEL	93 dB (1W/1m)
FREQUENCY RESPONSE	60Hz~20kHz, deviation20dB
CROSSOVER FREQUENCY	3kHz
DIRECTIVE	40° x 70° (Horizontal x Vertical, -6dB)
CONNECTOR	2P-push terminal
SPEAKER	φ 160mm cone type woofer φ 70mm dome tweeter x 2
FINISH	Enclosure (PP resin): Silky Snow Pearl (Munsell 10GY7.5/0.5) Baffle (PP resin): Silky Snow Pearl (Munsell 10GY7.5/0.5) Grill screen (Punching metal): Silky Snow Pearl (Munsell 10GY7.5/0.5)
DIMENSION	335(W) x 190(H) x 240(D) mm
MASS	Approx. 4.1kg
ACCESSORIES	Instruction Manual x1



Unit: mm

BUSINESS

JH01

Subject to change for improvement without notice.

製造元 日本電音株式会社 販売元 ユニペックス株式会社