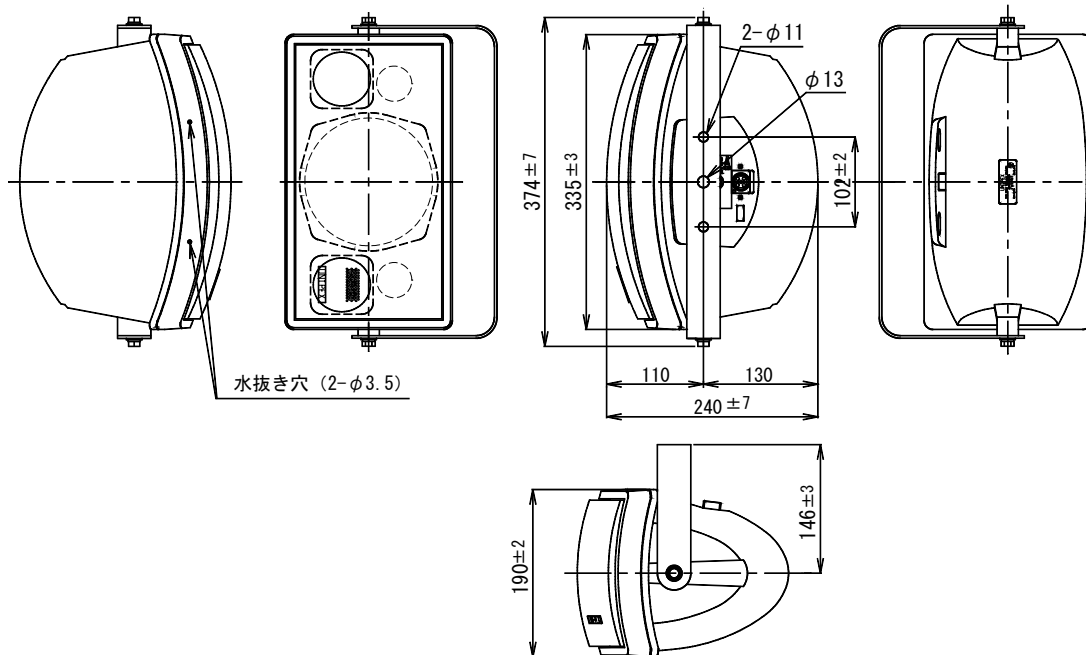


## DRIP-PROOF 2-WAY SPEAKER

### FWS-40T

|                     |  |
|---------------------|--|
| RATED INPUT         | 40W  |
| IMPEDANCE           | 250Ω (40W) 330Ω (30W) 500Ω (20W) <100V line>   |
| SOUND PRESURE LEVEL | 94dB (at 1m/1W)  |
| FREQUENCY RESPONSE  | 70Hz~20kHz (Deviation ±20dB)   |
| CROSSOVER FREQUENCY | 3kHz   |
| SPEAKER             | φ16cm Drip-proof cone speaker × 1<br>φ7cm Drip-proof con tweeter × 2   |
| FINISH              | Enclosure (PP resin) : Black (Munsell N1.5 approx.)<br>Baffle (PP resin) : Black (Munsell N1.5 approx.)<br>Grill screen (Aluminum punching) : Black (Munsell N1.5 approx.)<br>Bracket (Steel) : Black (Munsell N1.5 approx.) |
| DIMENSIONS          | 335(W) x 190(H) x 240(D) mm  |
| MASS                | Approx. 5.4kg  |
| ACCESSORIES         | Code with plug x1  |



UNIT:mm

BUSINESS

JH01