

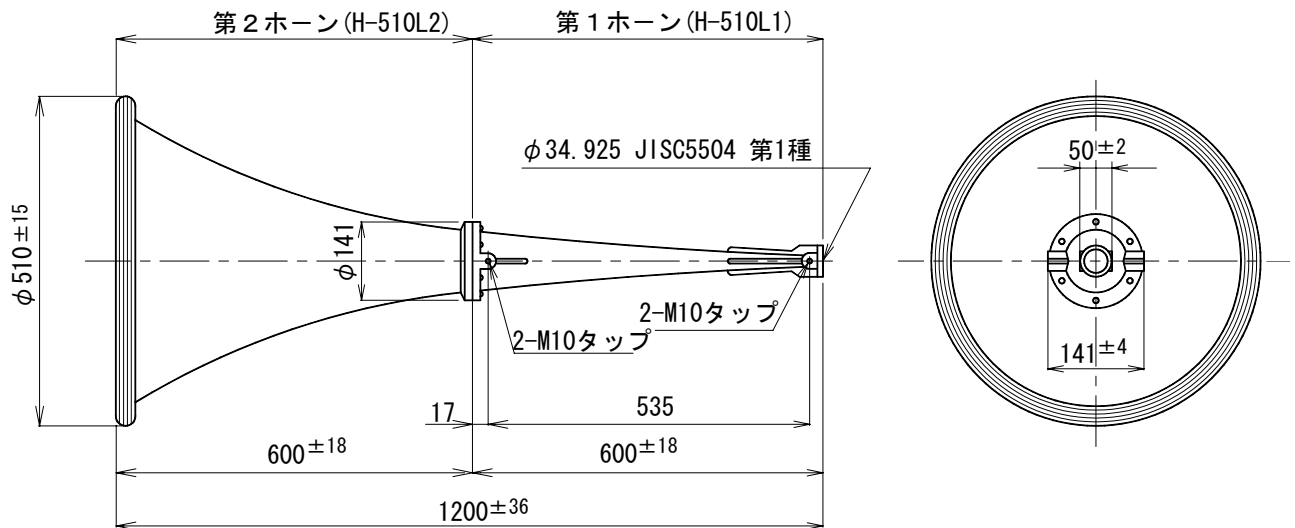
Specification

UNI-PEX

STRAIGHT HORN

H-510L
(H-510L1 + H-510L2)

| | |
|-----------------------|--|
| DIMENSIONS | $\phi 510 \times 1200(D)$ mm |
| LOW FREQUENCY CUT-OFF | 170Hz |
| CONNECTION | $\phi 34.925$ mm |
| FINISH | Horn 1(Aluminum casting) : Light gray (Munsell N7.0) |
| | Horn 2(Aluminum) : Light gray (Munsell N7.0) |
| | Screws (Stainless) |
| APPLICABLE UNIT | All UNI-PEX brand driver unit |
| MASS | Approx. 2.8kg |
| ACCESSORIES | Bolt (M10 \times 20) x4 |



Unit: mm

BUSINESS

JH09

Subject to change for improvement without notice.

製造元 日本電音株式会社 販売元 ユニペックス株式会社