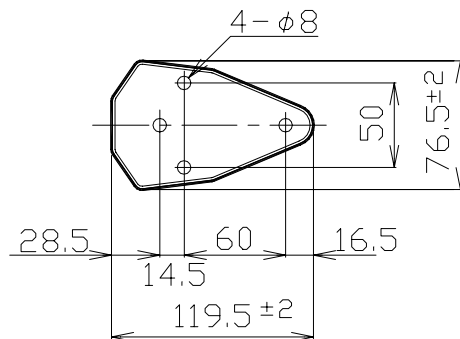
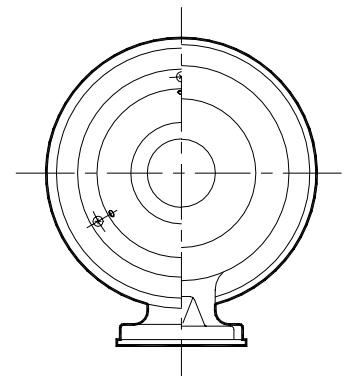
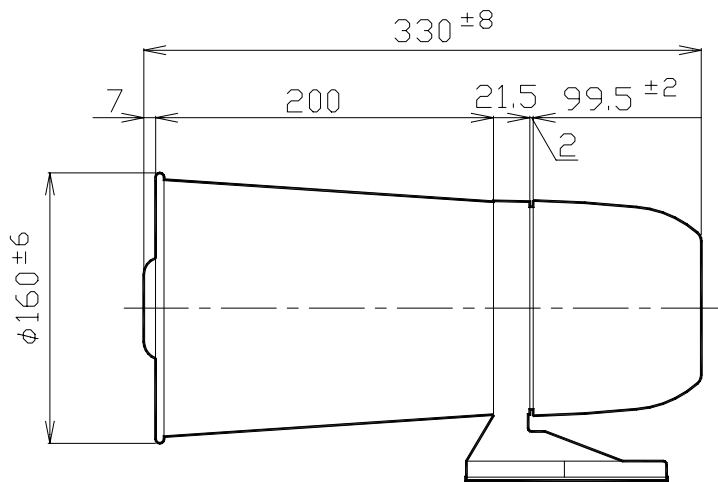


## SEPARATE HORN

### HAC-16

LOW FREQUENCY CUT-OFF	280Hz
COUPLING	φ 34.925mm
FINISH	Horn Mouth (Aluminum): White (Munsell N9 approx.)
	Reflector (PS resin): White (Munsell N9 approx.)
	Cover (ABS resin): White (Munsell N9 approx.)
	Stand base: (Aluminum die-cast), White (Munsell N9 approx.)
DIMENSIONS	φ 160 (Diam.) × 330 (Length) mm
MASS	Approx. 900g
APPLICABLE DRIVER UNIT	P-1000, P-700, P-500, P-350, P-300, P-250, P-15F



UNIT: mm

BUSINESS

JH09