

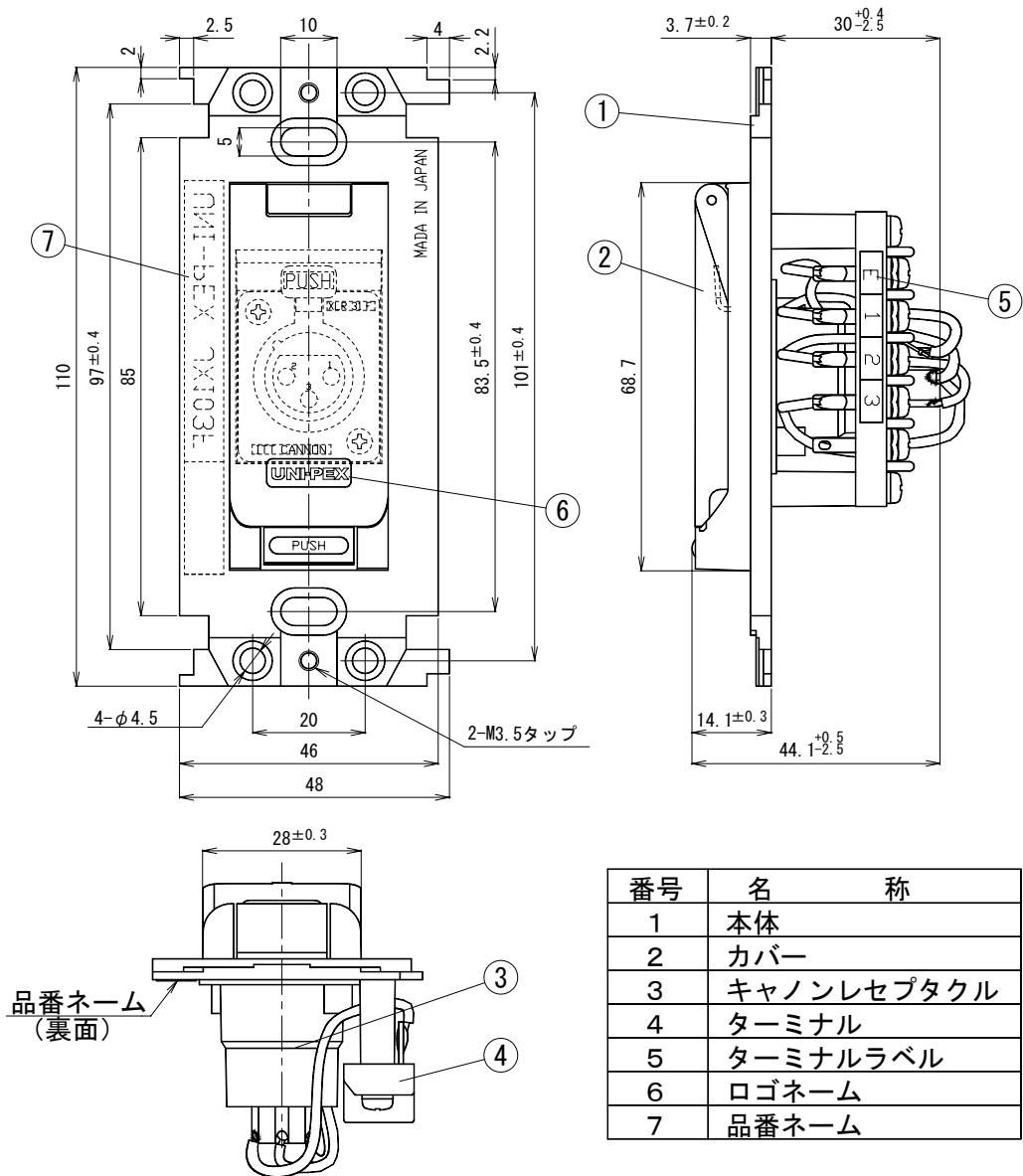
# Specification

**UNI-PEX**

## MICROPHONE CONNECTOR

### JX-103F

CONNECTOR XLR type plug, XLR-3-31F77  
 FINISH (ABS resin) : Ivory (Munsell 5Y8.5/1 approx.)  
 DIMENSIONS 48(W) x 110(H) x 44.1(D) mm  
 MASS Approx. 70g  
 ACCESSORIES Instruction manual x1



Unit:mm

BUSINESS

JD01

Subject to change for improvement without notice.

製造元 日本電音株式会社 販売元 ユニペックス株式会社