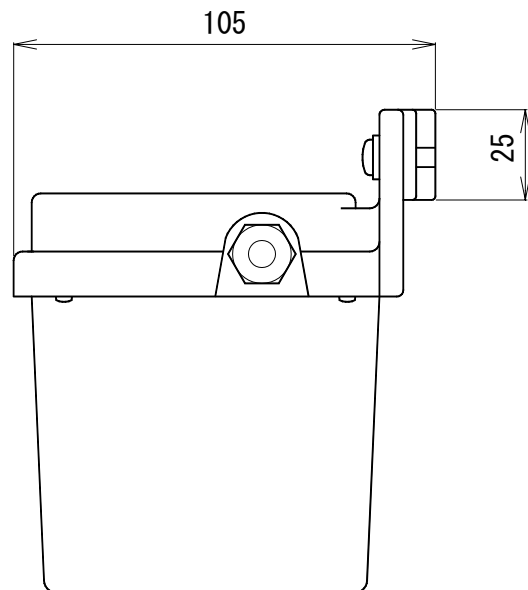
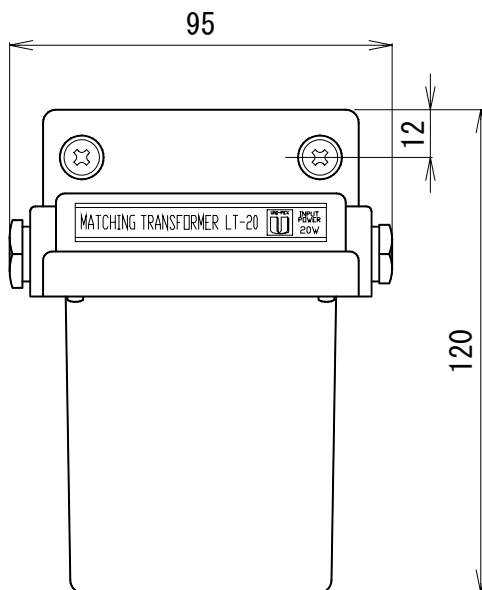
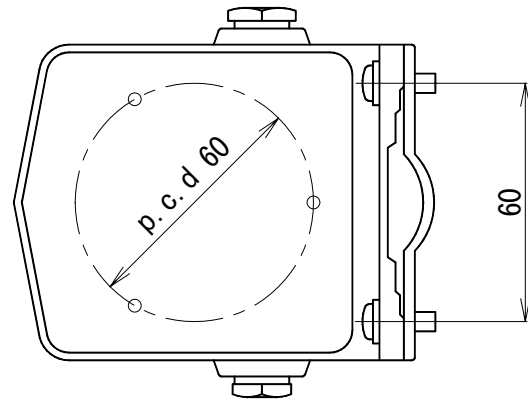


MATCHING TRANSFORMER

LT-20

INPUT IMPEDANCE	5W	7.5W	10W	15W	20W	
	2kΩ	1.3kΩ	1kΩ	670Ω	500Ω	(High impedance 100V line)
OUTPUT IMPEDANCE	4Ω	8Ω	16Ω			
FINISH	Mounting (Aluminum die-casting): Metallic gray					
	Cover (ABS resin): Gray (Munsell N6 approx.)					
DIMENSIONS	95(W) x 120(H) x 105(D) mm					
MASS	Approx. 800g					
ACCESSORIES	Instruction manual x1					



Unit: mm

BUSINESS

JD01