

# Specification

**UNI-PEX**

No.1

## CHIME MICROPHONE

### MC-301

POWER SUPPLY	DC7.5V (Supplied from AC adaptor as accessory)
CURRENT CONSUMPTION	34mA or less(Operation), 24mA(Standby)
IMPEDANCE	600Ω Unbalanced
OUTPUT LEVEL	MICROPHONE: -66dBV (Factory setting) (Possible to change it from -82dBV to -62dBV) CHIME: -45dBV (Factory setting) (Possible to adjust it from silent to -35dBV)
MICROPHONE SENSIVITY	-52dBV ±3dB (at 1kHz, 0dB=1V/Pa)
MICROPHONE	Uni-directional dynamic microphone
STYLE	Desk-top stand type
CHIME FREQUENCY	UP: 440Hz→554Hz→659Hz→880Hz DOWN: 880Hz→659Hz→554Hz→440Hz (Frequency deviation: within ±1%, chime speed fixed)
FINISH	BODY(Zinc die-cast) :Metallic-light gray BASE(ABS resin) :Black, Munsell N2. 0 approx. Microphone(Iron) :Black, Munsell N2. 0 approx. Talk button(POM resin):Dark gray, Munsell N5. 5 approx. Chime button(POM resin):Dark gray, Munsell N5. 5 approx.
OUTPUT CABLE	Approx. 3m (Straight cable)
OUTPUT PLUG	Phone plug
ADDITIONAL FUNCTION	Talk button with Lock mechanism, Up/Down chime sound(4 tone)
STANDARD	JIS C 5502
TEMPERATURE RANGE	-10°C~+55°C
DIMENSIONS	110(W) x 165(D) x 47(H) mm (without cable) Microphone length: 292mm
MASS	Approx. 1.0kg (without cable)
ACCESSORY	AC adaptor(ADP-750) × 1, Setting driver × 1,

See No. 2

BUSINESS

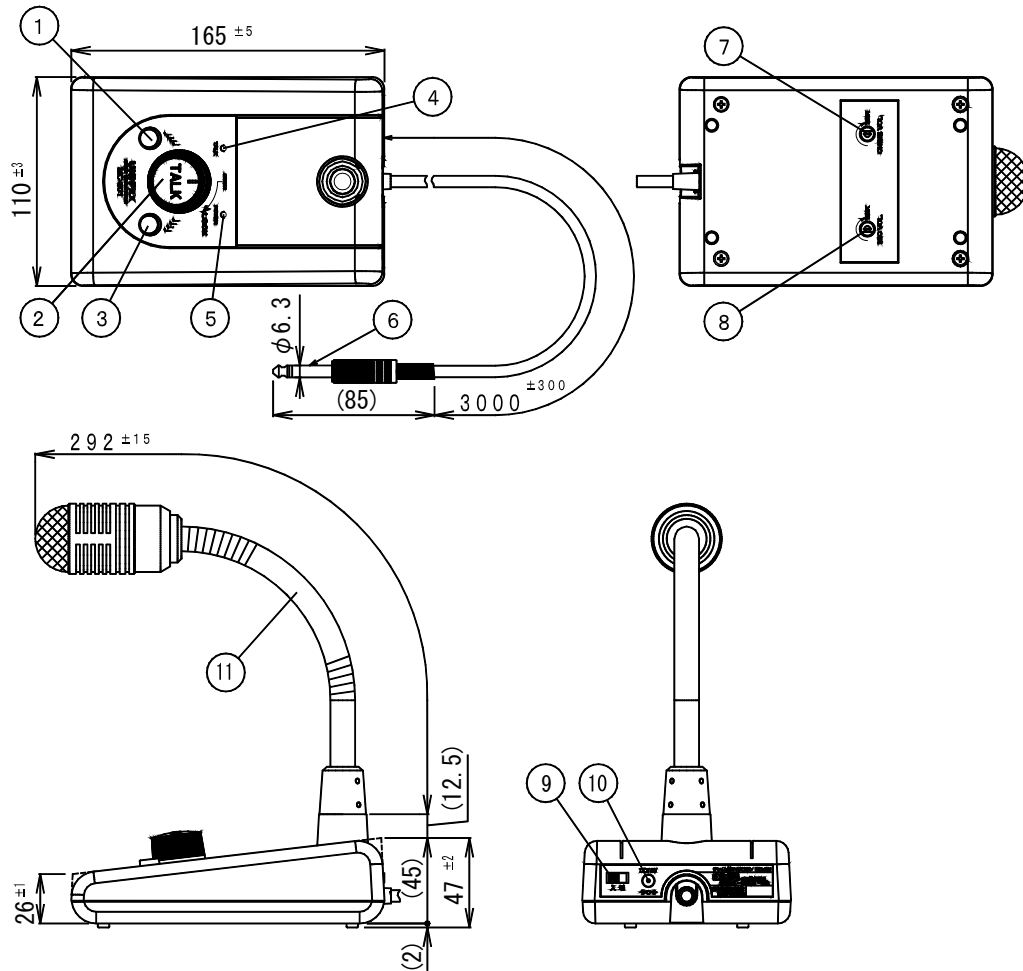
AA06

# Specification

# UNI-PEX

No. 2

CHIME MICROPHONE  
MC-301



番号	名称
1	上りチャイムボタン
2	トークボタン
3	下りチャイムボタン
4	トーク表示灯
5	電源表示灯
6	出力プラグ
7	チャイム音量調節器
8	マイク音量調節器
9	電源スイッチ
10	電源ジャック
11	フレキシブルシャフト

Unit: mm

BUSINESS

AA06

Subject to change for improvement without notice.

製造元 日本電音株式会社 販売元 ユニペックス株式会社