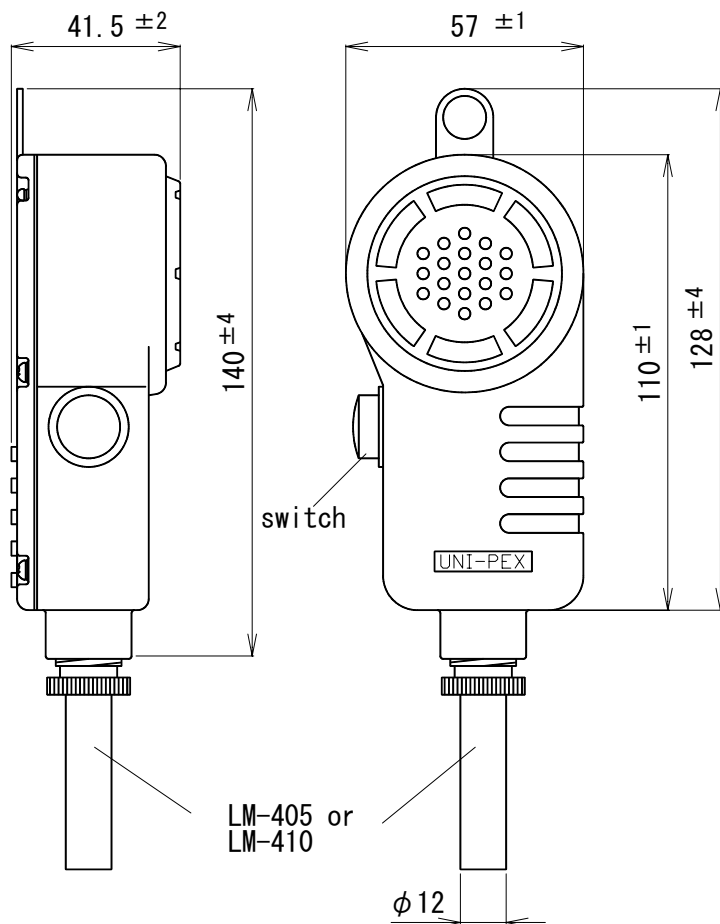


## WATER-PROOF DYNAMIC MICROPHONE

### MD-2B

IMPEDANCE	600Ω balanced, ±30% (at 1kHz)
SENSITIVITY	-53dB ±3dB (0dB=1V/Pa=0.1V/μ bar at 1kHz)
FREQUENCY RESPONSE	300Hz~5kHz (Deviation 20dB)
DIRECTIVITY	Omni-directional
FINISH	(All Metal): Light green (Munsell 2.5G7/2 approx.)
DIMENSIONS	57 (W) × 140 (L) × 41.5(D) mm
MASS	Approx. 270g
APPLICABLE PRODUCTS	Cord 5m (LM-405), Cord 10m (LM-410)
APPLICABLE STANDARD	JIS C 5502 Microphone



UNIT: mm

BUSINESS

JH06

Subject to change for improvement without notice.

製造元 日本電音株式会社 販売元 ユニペックス株式会社