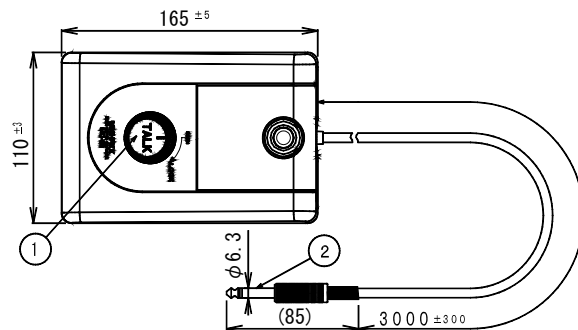


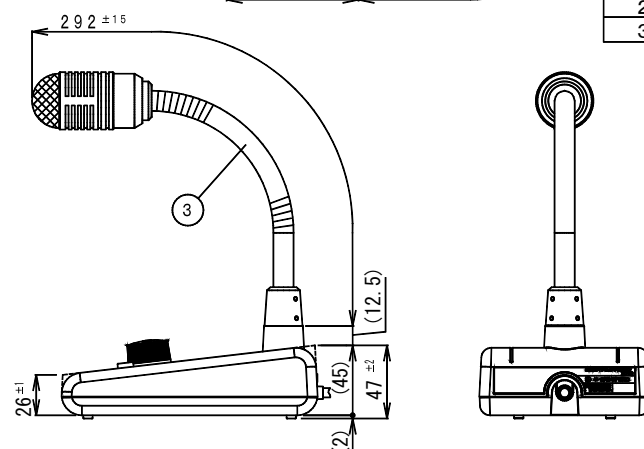
DESK-TOP TYPE DYNAMIC MICROPHONE

MD-33

IMPEDANCE	600Ω Unbalanced
MICROPHONE SENSITIVITY	-52dB ±3dB (at 1kHz, 0dB=1V/Pa)
FREQUENCY RESPONSE	80Hz~12kHz (1kHz basis, Deviation+12dB -12dB)
MICROPHONE TYPE	Uni-directional dynamic microphone
FINISH	Desk-top stand type
	BODY(Zinc die-cast) :Metallic light gray
	BASE(ABS resin) :Black, Munsell N2. 0 approx.
	MICROPHONE(Iron) :Black, Munsell N2. 0 approx.
	Talk button(POM resin):Dark gray, Munsell N5. 5 approx.
OUTPUT CABLE	Approx. 3m (straight cable)
OUTPUT PLUG	Phone plug
FUNCTION	Talk button with Lock mechanism
STANDARD	JIS C 5502
TEMPERATURE RANGE	-10°C~+55°C
DIMENSIONS	110(W) x 165(D) x 47(H) mm (without cable)
	Microphone length 292mm
MASS	Approx. 1. 0kg (without cable)



番号	名称
1	トークボタン
2	出力プラグ
3	フレキシブルシャフト



Unit: mm

BUSINESS

AA05