

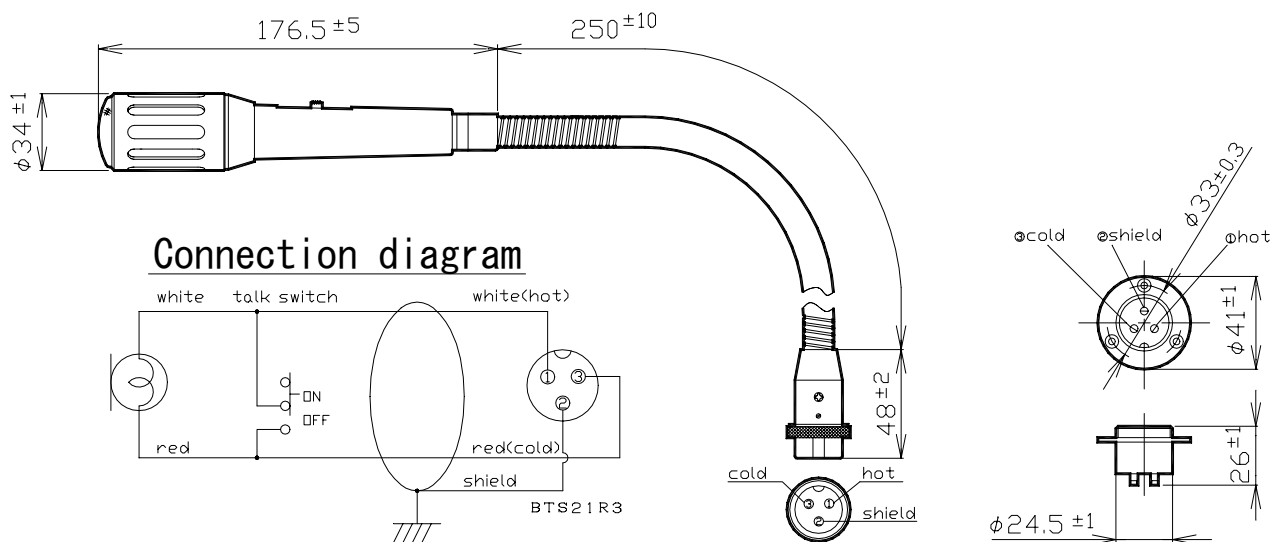
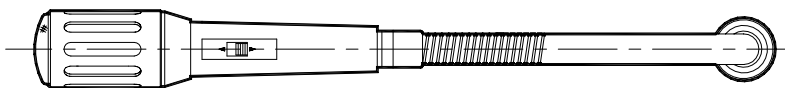
# Specification

**UNI-PEX**

## GOOSENECK TYPE MICROPHONE

### MD-43

IMPEDANCE	600Ω Balanced (at 1kHz)
SENSITIVITY	-58dB (at 1kHz, 0dB=1V/Pa=0.1V/μ bar)
FREQUENCY RESPONSE	100Hz~10kHz (Deviation within +8dB -12dB)
DIRECTIVITY	Uni-directional
FINISH	Nickel aventurine plating (Body: Synthetic resin, other: All metal)
DIMENSIONS	φ 34 (Diam.) × 475 (L) mm
MASS	Approx. 350g
ADDITIONAL FEATURE	Built-in on/off talk switch, Built-in flexible gooseneck
APPLICABLE STANDARD	JIS C 5502 Microphone
ACCESSORIES	Receptacle (BTS 21R3) × 1, Instruction manual × 1



UNIT: mm

**BUSINESS**

JE02

Subject to change for improvement without notice.

製造元 日本電音株式会社 販売元 ユニペックス株式会社