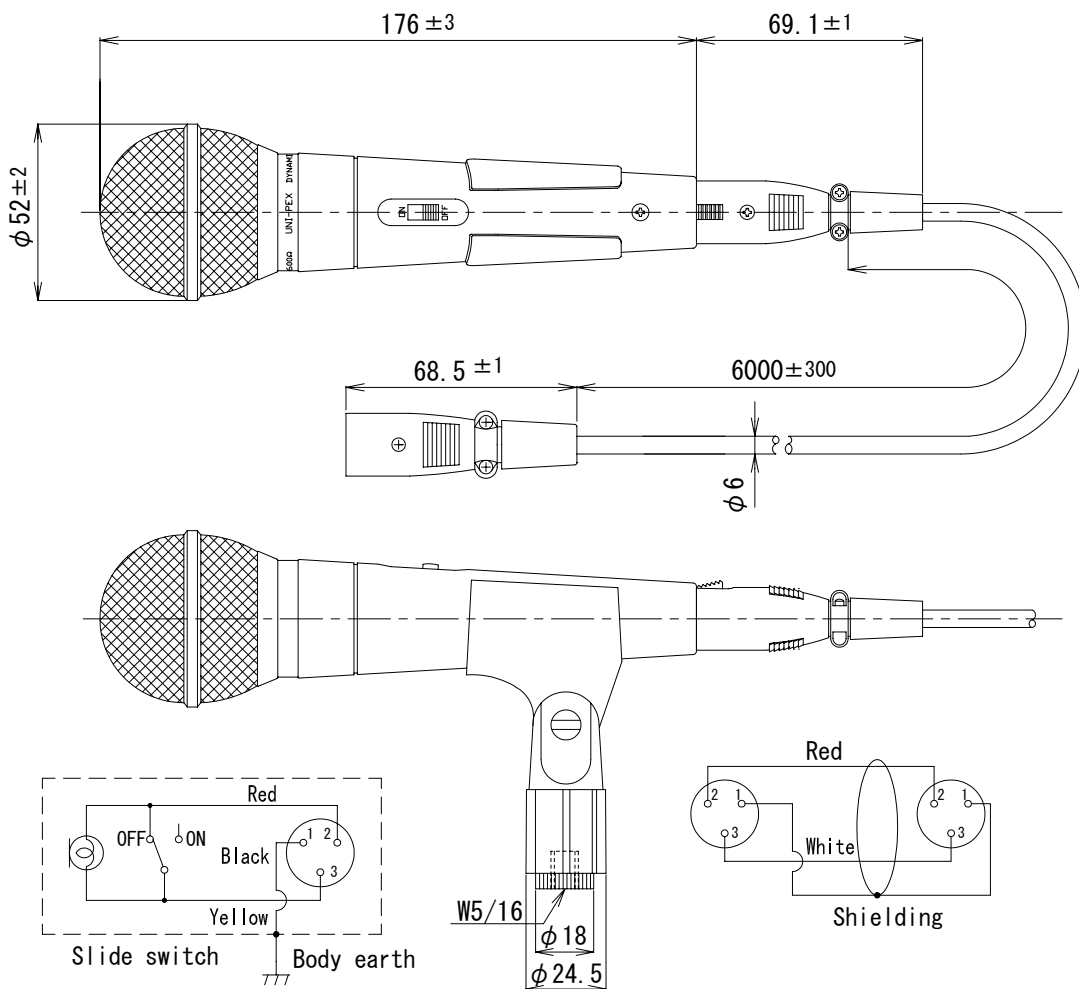


DYNAMIC MICROPHONE

MD-56T

| | |
|---------------------|--|
| IMPEDANCE | 600 Ω ±30% Balanced (at 1kHz) |
| SENSITIVITY | -52dB±3dB(at 1kHz,0dB=1V/Pa=0.1V/μ bar) |
| FREQUENCY RESPONSE | 50Hz~15kHz (at 1kHz, Deviation within +12dB -15dB) |
| DIRECTIVITY | Uni-directional |
| FINISH | All metal: (Head) Metallic gray with paint, (body) Metallic gray with paint |
| DIMENSIONS | φ 52 (Daim.) × 176 (L) mm (without connector) |
| MASS | Approx. 580g (Approx. 260g without cord, without accessories) |
| ADDITIONAL FEATURE | Built-in on/off talk switch and windshield |
| ACCESSORIES | Cord: 6m long with Cannon plug XLR-3-12C × 1, Stand adapter(W5/16) × 1, Instruction manual × 1 |
| APPLICABLE STANDARD | JIS C 5502 Microphone |



UNIT: mm

BUSINESS

JD01

Subject to change for improvement without notice.

製造元 日本電音株式会社 販売元 ユニペックス株式会社