

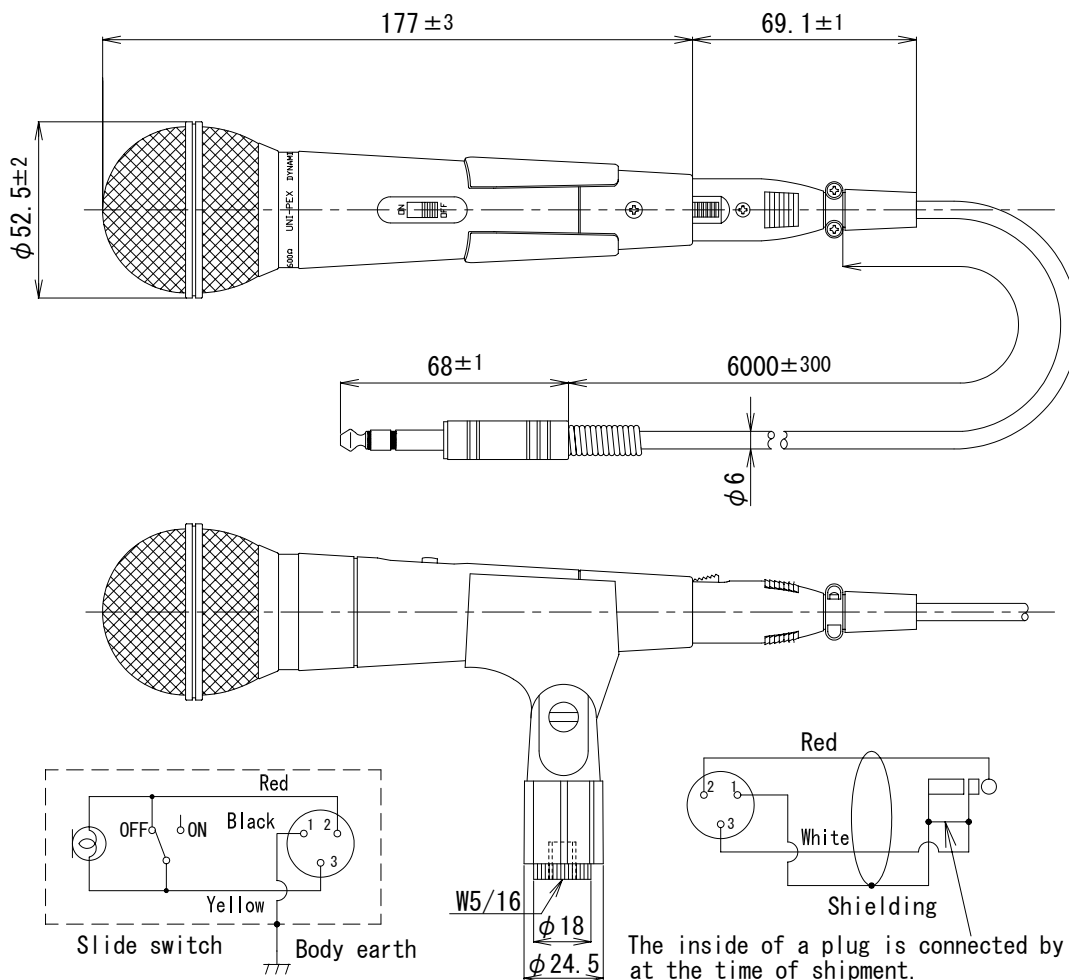
Specification

UNI-PEX

DYNAMIC MICROPHONE

MD-57

IMPEDANCE	600Ω ±30% Balanced (at 1kHz) (Unbalanced connection at the time of shipment)
SENSITIVITY	-53dB±3dB(at 1kHz,0dB=1V/Pa=0.1V/μ bar)
FREQUENCY RESPONSE	50Hz~12kHz (at 1kHz, Deviation within +12dB -15dB)
DIRECTIVITY	Uni-directional
FINISH	All metal: (Head) Black with paint, (body) Black with paint
DIMENSIONS	φ 52.5 (Diam.) × 177 (L) mm (without connector)
MASS	Approx. 590g (Approx. 268g without cord, without accessories)
ADDITIONAL FEATURE	Built-in on/off talk switch and windshield
ACCESSORIES	Cord: 6m long with phone plug × 1, Stand adapter(W5/16) × 1, Instruction manual × 1
APPLICABLE STANDARD	JIS C 5502 Microphone



UNIT: mm

BUSINESS

JD01

Subject to change for improvement without notice.

製造元 日本電音株式会社 販売元 ユニペックス株式会社