

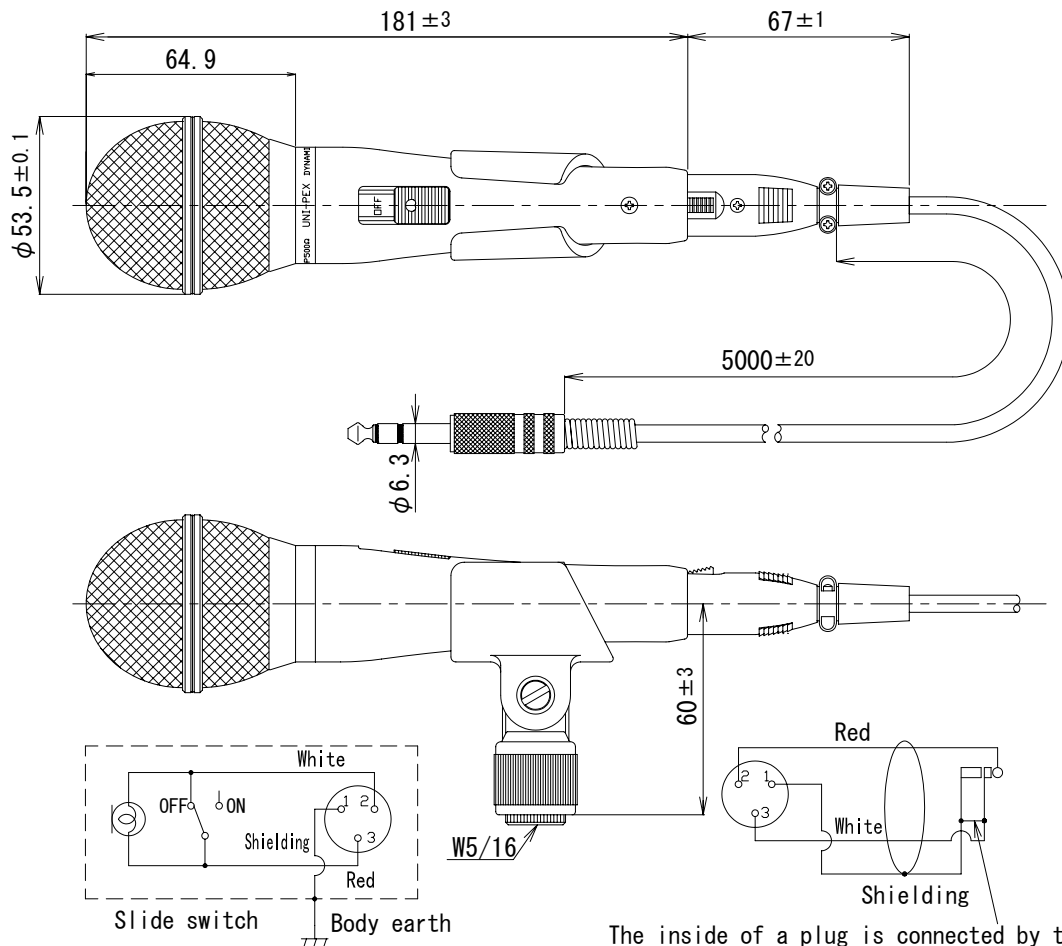
Specification

UNI-PEX

DYNAMIC MICROPHONE

MD-58

IMPEDANCE	500 Ω ±30% Balanced (at 1kHz) (Unbalanced connection at the time of shipment)
SENSITIVITY	-55dB ±3dB(at 1kHz, 0dB=1V/Pa=0.1V/μ bar)
FREQUENCY RESPONSE	60Hz~15kHz (at 1kHz, Deviation within +10dB -14dB)
DIRECTIVITY	Uni-directional
FINISH	All metal: (Head) Black paint, (body) Black with paint
DIMENSIONS	φ 53.5 (Diam.) × 181 (L) mm (without connector)
MASS	Approx. 600g (Approx. 280g without cord, without accessories)
ADDITIONAL FEATURE	Built-in on/off talk switch and windshield
ACCESSORIES	Cord: 5m long with Phone plug XLR-3-11C × 1, Stand adapter(W5/16) × 1, Instruction manual × 1
APPLICABLE STANDARD	JIS C 5502 Microphone



UNIT: mm

BUSINESS

JD01

Subject to change for improvement without notice.

製造元 日本電音株式会社 販売元 ユニペックス株式会社