

Specification

UNI-PEX

MICROPHONE STAND

MT-35

FINISH

Pipe: (Steel), Chrome plating.

DIMENSIONS

Base: Black

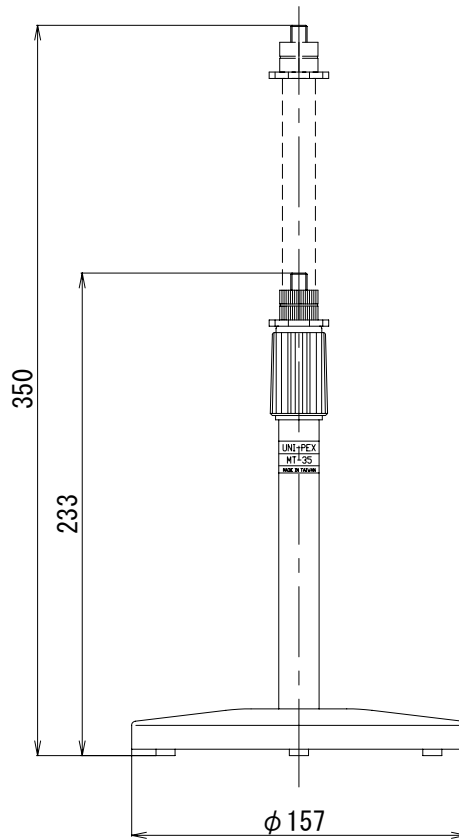
ADAPTOR

Adjustable height: 233~350mm, Base: ϕ 157 (Diam.)mm

MASS

W5/16

Approx. 1.14kg



UNIT: mm

BUSINESS

JD01

Subject to change for improvement without notice.

製造元 日本電音株式会社 販売元 ユニペックス株式会社