

# Specification

**UNI-PEX**

## MICROPHONE STAND

### MT-89

FINISH

Pipe: (Steel), Chrome plating.

DIMENSIONS

Base: (Zinc Die-cast), Black

Adjustable height: 890~1590 mm,

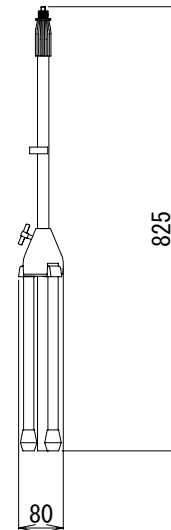
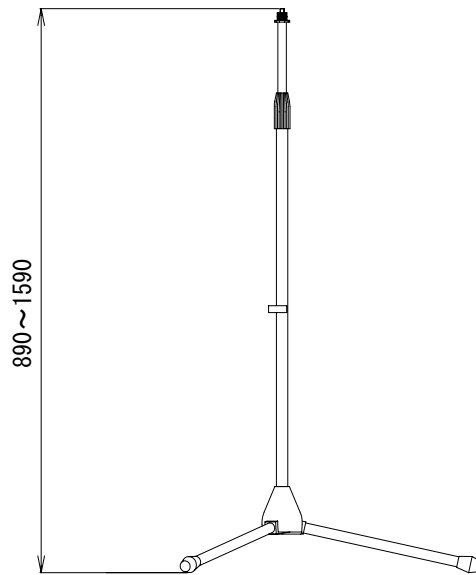
Base:  $\phi$  720 (Diam.) mm

ADAPTOR

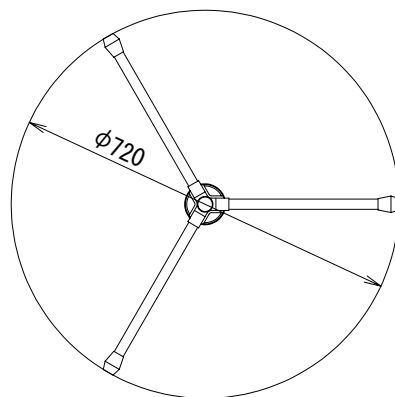
W5/16

MASS

Approx. 2.0kg



External when folding up



UNIT: mm

BUSINESS

JD01

Subject to change for improvement without notice.

製造元 日本電音株式会社 販売元 ユニペックス株式会社