

Specification

UNI-PEX

No.1

AMPLIFIER FOR CAR USE

NDA-402A

POWER SUPPLY	12V Battery minus earth (Standard, DC 14V)
POWER VOLTAGE RANGE	10V~16V DC
CURRENT CONSUMPTION	5. 5A
OUTPUT	40W (Rated), 60W (Max.)
OUTPUT LOAD	4Ω/8Ω Switchable plug-receptacle connector
IMPEDANCE	
DISTORTION	5% and below
FREQUENCY RESPONSE	250Hz~10kHz ±3dB
TONE CONTROL	-10dB at 10kHz (1kHz Basis) -6dB at 250Hz (Speech/ 1kHz Basis)
INPUT SENSITIVITY & IMPEDANCE	MIC1: -52dBV ±3dB 600Ω unbalanced with volume control MIC2: -52dBV ±3dB 600Ω unbalanced with volume control AUX.: -22dBV ±3dB 10kΩ balanced
S/N RATIO	50dB or more
OPERATION INDICATION	Power LED (Green)
TEMPERATURE RANGE	-20°C~+60°C
FINISH	Panel: (ABS resin), Approx. Black (Munsell N1) Case: (Coated steel sheet), Approx. Black (Munsell N1)
DIMENSIONS	178(W) X 50(H) X 165(D) mm
MASS	Approx. 1. 5kg
ACCESSORIES	Instruction manual x1, φ6. 3 Phone plug x1, Microphone x1, Fuse (10A) x1, Metal fitting x1, Stay with holes x1, Nut (M5) x5, Bolt (M5 X 10) x5, Bolt (M5 X 16) x5, Washer (φ5 X 12) x5

BUSINESS

JG08

Subject to change for improvement without notice.

製造元 日本電音株式会社 販売元 ユニペックス株式会社

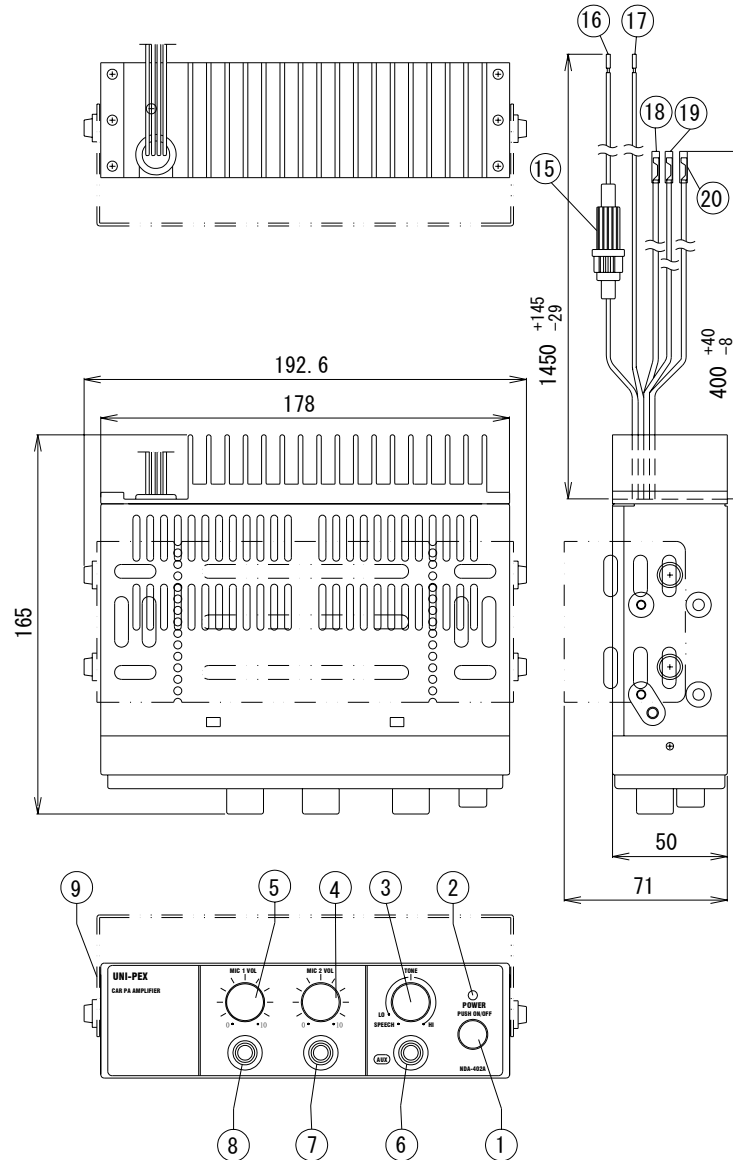
Specification

UNI-PEX

No. 2

AMPLIFIER FOR CAR USE
NDA-402A

EXTERNAL VIEW



1	Power Switch	9	Metal Fittings
2	Power LED (Green)	10	Fuse Holder (Fuse 10A)
3	Tone Control	11	Power Connect cord (+) (Red)
4	MIC2 Volume Control	12	Power Connect Cord (-) (Black)
5	MIC1 Volume Control	13	Speaker Com. Connect Cord (White)
6	AUX. Input Jack	14	8Ω Speaker Connect Cord (Orange)
7	MIC2 Input Jack	15	4Ω Speaker Connect Cord (Brown)
8	MIC1 Input Jack		

UNIT: mm

BUSINESS

JG08

Subject to change for improvement without notice.

製造元 日本電音株式会社 販売元 ユニペックス株式会社