

# Specification

**UNI-PEX**

No.1

## AMPLIFIER FOR CAR USE

### NT-102A

POWER SUPPLY	12V DC (14V Standard)
POWER SUPPLY RANGE	10V ~ 16V DC
CURRENT CONSUMPTION	1.5A
OUTPUT	10W (Rated), 16W (Max.)
OUTPUT LOAD IMPEDANCE	4Ω / 8Ω Selection by chip connector
DISTORTION	5% or below
FREQUENCY RESPONSE	250Hz~10kHz (Deviation ±3dB)
INPUT SENSITIVITY & IMPEDANCE	MIC(Dynamic): -52dBV (Deviation ±3dB) 600Ω unbalanced with volume control MIC(ECM): -34dBV (Deviation ±3dB) 600Ω unbalanced with volume control, AUX: -22dBV (Deviation ±3dB) 10kΩ balanced
PHANTOM POWER SUPPLY	+2.0V ±0.5V, RL=2.2kΩ (For ECM MIC)
S/N RATIO	50dB or more
OPERATION INDICATION	Power: LED (Green)
TEMPERATURE RANGE	-20°C~+60°C
FINISH	Panel (ABS resin): Munsell N1 Approx. Black Case (Aluminum): Munsell N1 Approx. Black
DIMENSIONS	95(W) × 50(H) × 103(D) mm
MASS	Approx. 0.6kg
ACCESSORIES	Instruction Manual 1, Dynamic Microphone 1, Fuse (2A) 1, Large-sized single-prong balanced plug 1, Metal fitting 1, Nut (M5) 2, Hexagon head bolt(M4 × 8) 4, Bolt (M5 × 16) 2, Washer (φ5) 2

BUSINESS

JG08

Subject to change for improvement without notice.

製造元 日本電音株式会社 販売元 ユニペックス株式会社

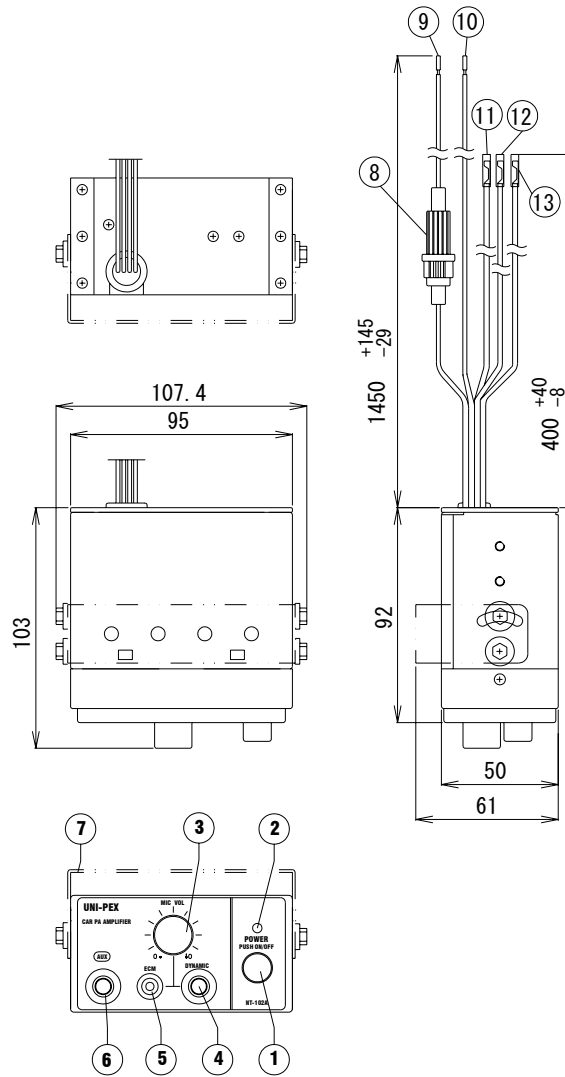
# Specification

# UNI-PEX

No. 2

AMPLIFIER FOR CAR USE  
NT-102A

## EXTERNAL VIEW



1	Power Switch	7	Metal Fittings
2	Power LED (Green)	8	Fuse Holder (Fuse 2A)
3	MIC Volume Control	9	Power Connect cord(+)-Red
4	MIC Input Jack (Dynamic type) Standard Jack (φ6.3)	10	Power Connect Cord(-)-Black
5	MIC Input Jack (ECM type) Mini Jack (φ3.5)	11	Speaker Com. Connect Cord-White
6	Reserve Input Jack Standard Jack (φ6.3)	12	8Ω Speaker Connect Cord-Orange
		13	4Ω Speaker Connect Cord-Brown

UNIT: mm

BUSINESS

JG08

Subject to change for improvement without notice.

製造元 日本電音株式会社 販売元 ユニペックス株式会社