

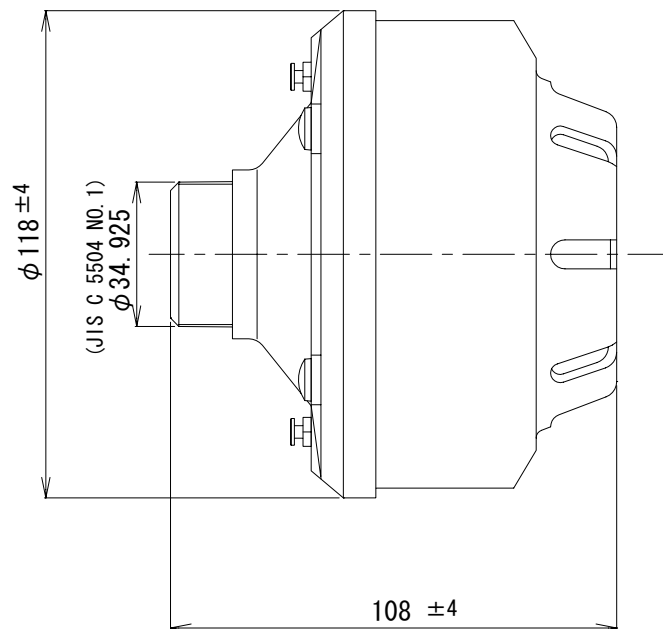
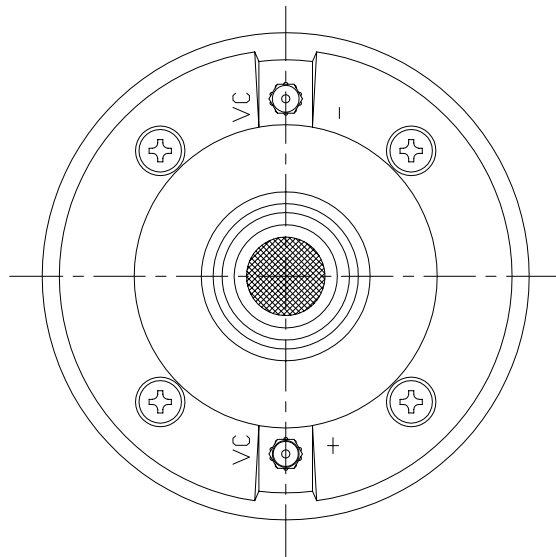
Specification

UNI-PEX

DRIVER UNIT

P-1000

RATED INPUT	100W
IMPEDANCE	8Ω
DIAMETER OF JOINT POINT	φ 34.925mm
SOUND PRESSURE LEVEL	110dB (at 1m, 1W input)
FREQUENCY RESPONSE	150Hz~6kHz (Deviation 20dB)
FINISH	Throat: (Aluminum die-cast), Gray (Munsell N4.0 Approx.) Case: (Aluminum), Gray (Munsell N4.0 Approx.)
DIMENSIONS	φ 118 (Diam.) × 108 (Length) mm
CONNECTION	T-type Terminal
MASS	Approx. 2.3kg
ACCESSORY	Cord (With T-type Connector) 2



UNIT: mm

BUSINESS

JH01

Subject to change for improvement without notice.

製造元 日本電音株式会社 販売元 ユニペックス株式会社