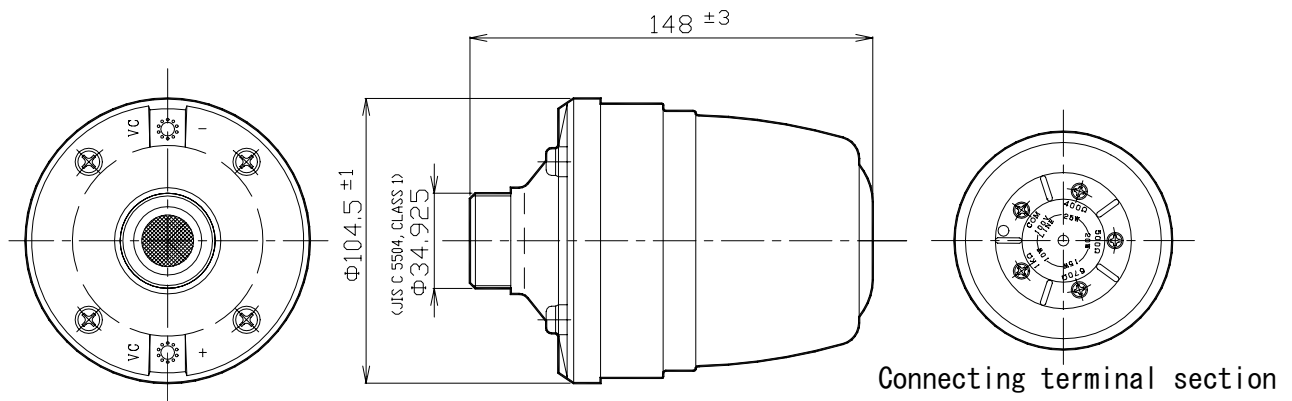


DRIVER UNIT WITH BUILT-IN TRANSFORMER

P-250T

RATED INPUT	25W
IMPEDANCE	400 Ω (25W)/500 Ω (20W)/670 Ω (15W)/1k Ω (10W) <High Impedance 100 Line>
DIAMETER OF JOINT POINT	φ 34.925mm
SOUND PRESSURE LEVEL	110dB (at 1m, 1W input)
FREQUENCY RESPONSE	125Hz~7kHz (Deviation 20dB)
FINISH	Throat: (Aluminum die-cast), Gray (Munsell N4.0 Approx.) Case: (Aluminum), Gray (Munsell N4.0 Approx.)
DIMENSIONS	φ 104.5(Diam.) × 148(Length)mm
MASS	Approx. 2.2kg



UNIT: mm

BUSINESS

JH01

Subject to change for improvement without notice.

製造元 日本電音株式会社 販売元 ユニペックス株式会社