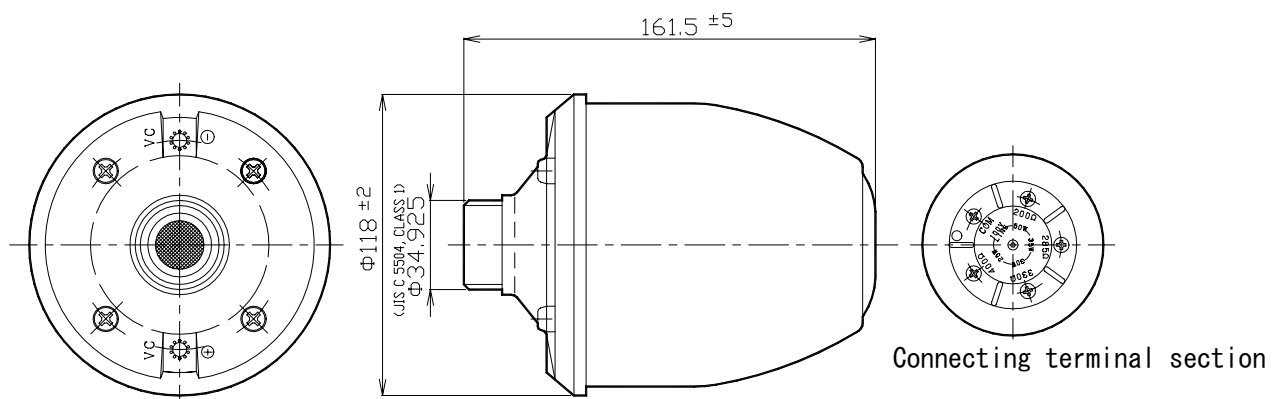


DRIVER UNIT WITH BUILT-IN TRANSFORMER

P-500T

| | |
|-------------------------|-----------------------------------------------------------------------------------------------------------|
| RATED INPUT | 50W |
| IMPEDANCE | 200 Ω (50W)/250 Ω (40W)/285 Ω (35W)/330 Ω (30W) <High Impedance 100 Line> |
| DIAMETER OF JOINT POINT | φ 34.925mm |
| SOUND PRESSURE LEVEL | 110dB (at 1m, 1W input) |
| FREQUENCY RESPONSE | 150Hz~7kHz (Deviation 20dB) |
| FINISH | Throat: (Aluminum die-cast), Gray (Munsell N4.0 Approx.) Case: (Aluminum), Gray (Munsell N4.0 Approx.) |
| DIMENSIONS | φ 118(Diam.) × 161.5(Length)mm |
| MASS | Approx. 3.2kg |



UNIT: mm

BUSINESS

JH01

Subject to change for improvement without notice.

製造元 日本電音株式会社 販売元 ユニペックス株式会社