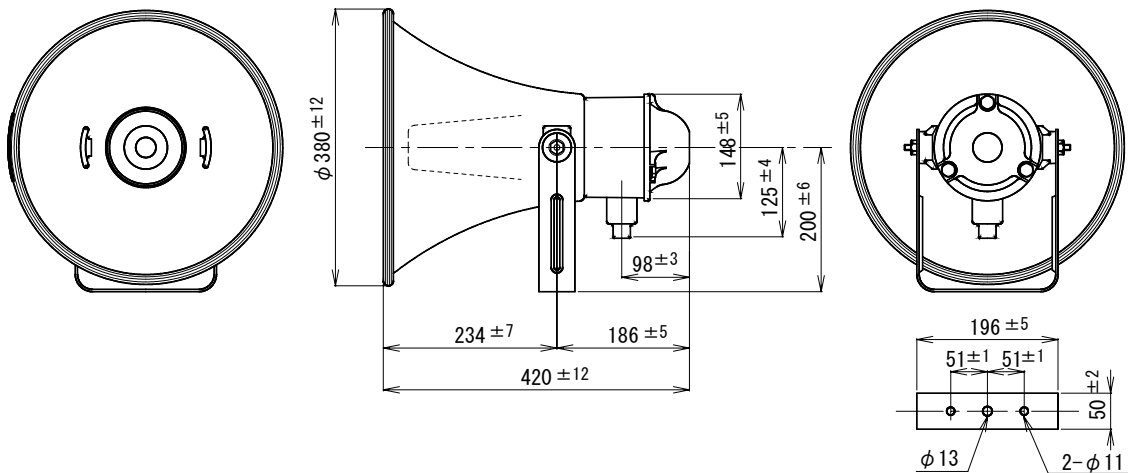


## EXPLOSION-PROOF SPEAKER

### PEH-15T

RATED INPUT	15W
IMPEDANCE	670 Ω (15W)/1k Ω (10W)/1.3k Ω (7.5W)/2k Ω (5W) <High Impedance 100 V Line>
SOUND PRESSURE LEVEL	107dB (at 1m, 1W input)
FREQUENCY RESPONSE	300Hz~4kHz (Deviation 20dB)
FINISH	Horn Mouth (Aluminum): Metallic gray Reflector (PS Resin): Metallic gray Unit case (Aluminum die-cast): Metallic gray Bracket (SPHC): Metallic gray
FITTINGS	U-shape Bracket, L-size
DIMENSIONS	φ 380(Diam.) × 420(Length)mm
MASS	Approx. 4.2kg
APPLICABLE STANDARD	JIS C 0934, JIS C 0930
NOTE	1.Expllosion-Preventive Classification eG4 (E: Classification of Increased Type Electrical equipment. Range of Ignitability G4. G4~G1 available) 2.Lead wires: Leading-in to Terminal housing by Conduit tube 3.Location:Class II (Rarefied inflammable Gases and Vaporous than Class I) 4.Conduit tube: JIS B 0202,Screw PF1/2 (external dia.20.955mm) 5.Authorization: By The Labor Department (NO.22201 officially approved Aug.1977)



UNIT: mm

BUSINESS