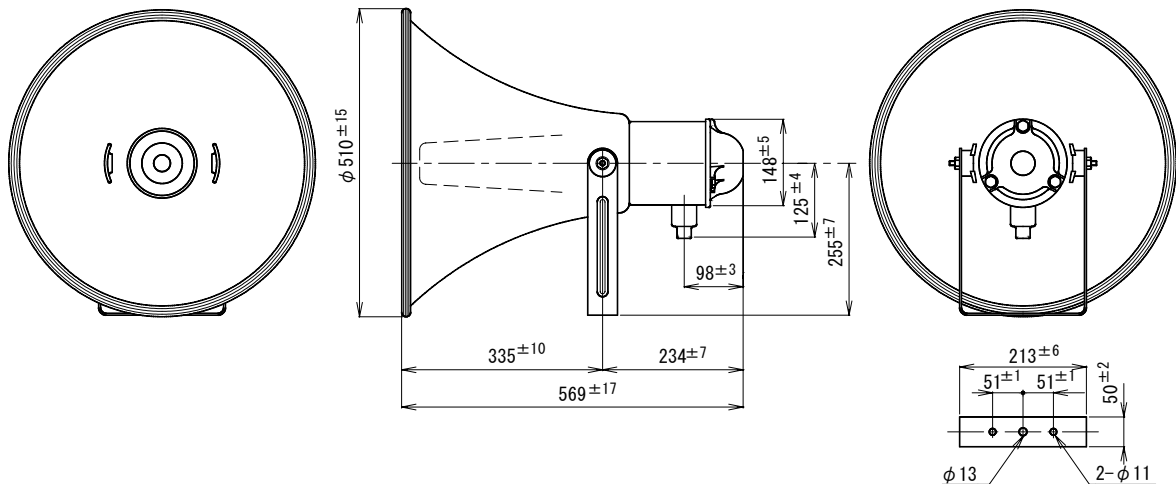


EXPLOSION-PROOF SPEAKER

PEH-30T

| | |
|----------------------|---|
| RATED INPUT | 30W |
| IMPEDANCE | 330 Ω (30W)/500 Ω (20W)/670 Ω (15W)/1k Ω (10W) <High Impedance 100V Line> |
| SOUND PRESSURE LEVEL | 110dB (at 1m, 1W input) |
| FREQUENCY RESPONSE | 250Hz~4kHz (Deviation 20dB) |
| FINISH | Horn Mouth (Aluminum): Metallic gray Reflector (ABS Resin): Metallic gray Unit case (Aluminum die-cast): Metallic gray Bracket (SPHC): Metallic gray |
| FITTINGS | U-shape Bracket, L-size |
| DIMENSIONS | φ 510(Diam.) × 569(Length)mm |
| MASS | Approx. 7.2kg |
| APPLICABLE STANDARD | JIS C 0903, JIS C 0904 |
| NOTE | 1.Expllosion-Preventive Classification eG4 (E: Classification of Increased Type Electrical equipment. Range of Ignitability G4.G4~G1 available) 2.Lead wires: Leading-in to Terminal housing by Conduit tube 3.Location: Class II (Rarefied inflammable Gases and Vaporous than Class I) 4.Conduit tube: JIS B 0202, Screw PF1/2 (external dia.20.955mm) 5.Authorization: By the Labor Department (NO.138) |



UNIT: mm

BUSINESS