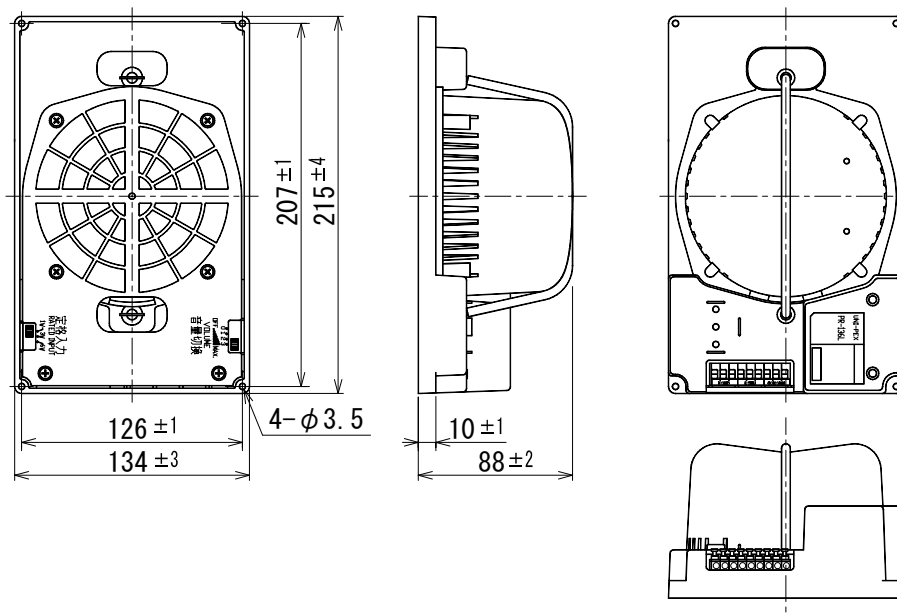


SPRING CATCH TYPE CEILING SPEAKER

PR-136L

RATED INPUT	6W
RATED IMPEDANCE	1.7k Ω (6W)/3.3k Ω (3W)/10k Ω (1W) <High Impedance 100V Line>
OUTPUT SOUND LEVEL	94dB (at 1m, 1W input)
VOLUME CONTROL	1W 0: OFF, 1: -10dB, 2: -4dB, 3: 0dB 3W 0: OFF, 1: -12dB, 2: -7dB, 3: 0dB 6W 0: OFF, 1: -15dB, 2: -10dB, 3: 0dB
FREQUENCY RESPONSE	120Hz~15kHz (Deviation: 20dB)
SPEAKER	ϕ 120mm dynamic cone speaker (8 Ω)
FINISH	Black (ABS resin)
INSTALLING HOLE DIAM.	150mm ~ 160mm
OUTSIDE DIMENSIONS	Square: 215mm \times 134mm Height: 88mm
MASS	Approx. 760g
OPTION	Speaker panel Panel with jersey netting: PL-181W (White), PL-181LG (Light gray) Panel with expand metal: PL-183W (White)



UNIT: mm

BUSINESS

JH01

Subject to change for improvement without notice.

製造元 日本電音株式会社 販売元 ユニペックス株式会社