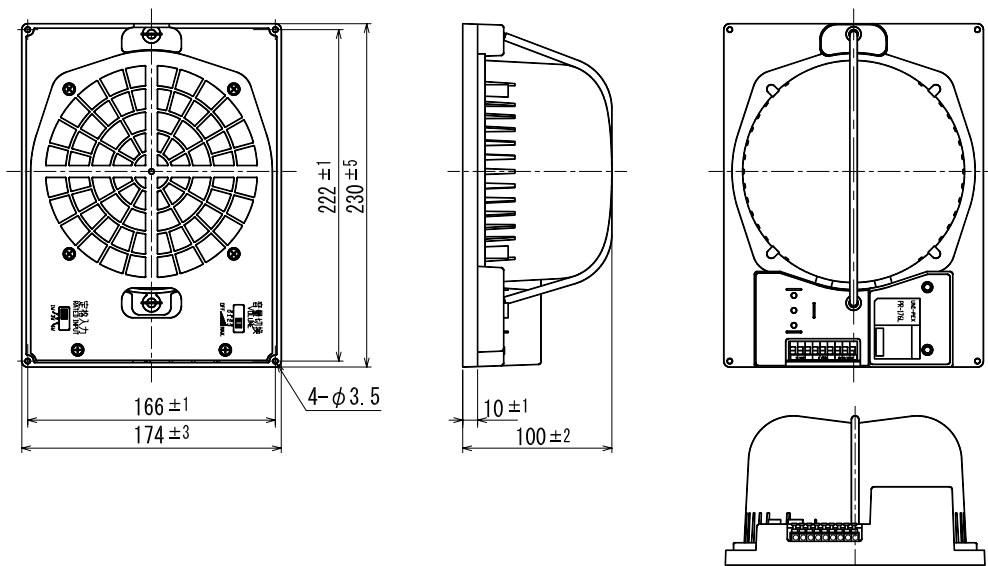


## SPRING CATCH TYPE CEILING SPEAKER

### PR-176L

RATED INPUT	6W
RATED IMPEDANCE	1.7k $\Omega$ (6W)/3.3k $\Omega$ (3W)/10k $\Omega$ (1W) <High Impedance 100V Line>
OUTPUT SOUND LEVEL	95dB (at 1m, 1W input)
VOLUME CONTROL	1W 0: OFF, 1: -10dB, 2: -4dB, 3: 0dB 3W 0: OFF, 1: -12dB, 2: -7dB, 3: 0dB 6W 0: OFF, 1: -15dB, 2: -10dB, 3: 0dB
FREQUENCY RESPONSE	100Hz~12kHz (Deflection: 20dB)
SPEAKER	$\phi$ 160mm dynamic cone speaker (8 $\Omega$ )
FINISH	Black (ABS resin)
INSTALLING HOLE DIAM.	200mm ~ 210mm
OUTSIDE DIMENSIONS	Square: 230mm $\times$ 174mm Height: 100mm
MASS	Approx. 850g
OPTION	Speaker panel Panel with jersey netting: PL-230W (White), PL-460W (White), PL-230LG (Light gray), PL-460LG (Light gray) Panel with punching net: PL-230P (Silver), PL-230PW (White) Panel with expand metal: PL-233W (White) Panel with louver: PL-230R (White)



UNIT: mm

BUSINESS

JH01