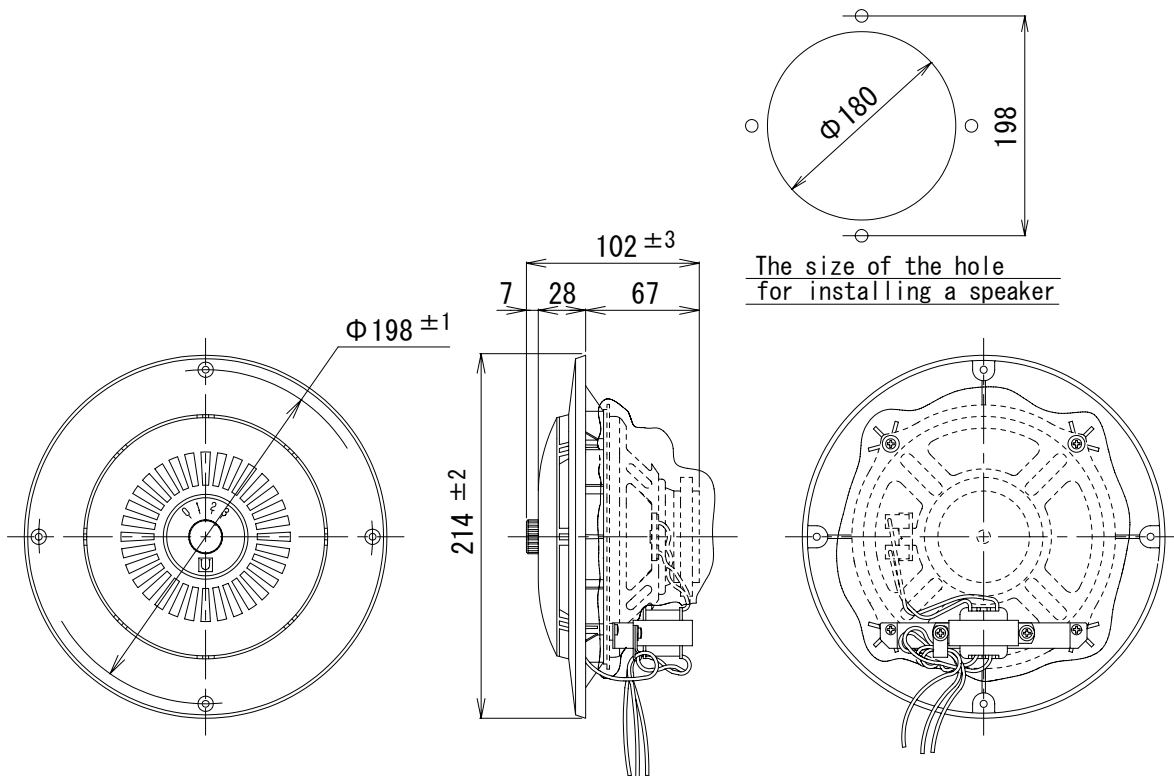


CEILING SPEAKER

PS-311L

RATED INPUT	3W
RATED IMPEDANCE	3.3kΩ (3W) <High Impedance 100V Line>
SOUND PRESSURE LEVEL	92dB (at 1m, 1W input)
FREQUENCY RESPONSE	90Hz~12kHz (Deviation 20dB)
SPEAKER	φ 160mm dynamic cone speaker 8Ω
VOLUME CONTROL	0: OFF, 1: -12dB, 2: -6dB, 3: 0dB (L Type attenuator)
FINISH	(ABS Resin), Half-matted ivory white (Munsell 2.5Y9/1 Approx.)
DIMENSIONS	φ 214(Diam.) × 102(D)mm
MASS	Approx. 700g
ACCESSORIES	Instruction manual 1, Fitting Screw (φ 4 × 38) 4



UNIT: mm

BUSINESS

JH01