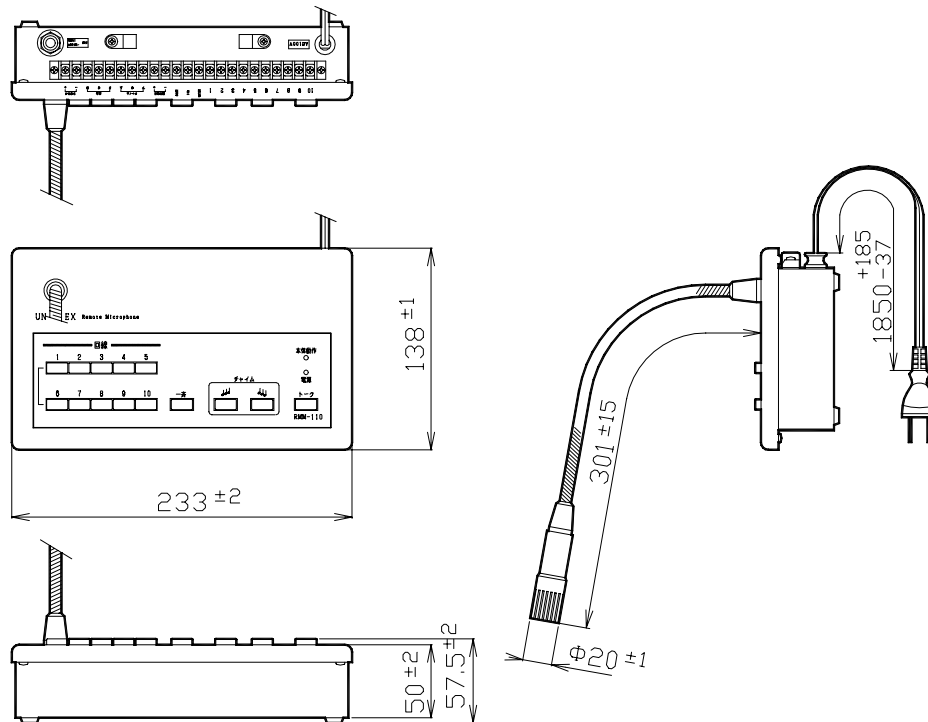


## REMOTE MICROPHONE

### RMM-110

POWER SUPPLY	AC mains, 24V DC
POWER CONSUMPTION	2W
CURRENT CONSUMPTION	AC 25mA, DC 70mA
RATED OUTPUT	0dBV±3dB 600Ω balanced, -20dBV±3dB 10kΩ balanced
DISTORTION FACTOR	1% or below
FREQUENCY RESPONSE	100Hz~10kHz±3dB (AUX. Input at 1kHz standard) 300Hz~7kHz±3dB (MIC. Input at 1kHz standard)
INPUT SENSITIVITY & IMPEDANCE	MIC: -62dBV±3dB 600Ω unbalanced AUX.: -22dBV±3dB 10kΩ unbalanced Chime: -22dBV±3dB 10kΩ unbalanced
S/N RATIO	60dB or more
FINISH	Panel: (ABS resin), Light-gray (Munsell 5Y8/0.5 Approx.) Chassis: (Steel), Light-gray (Munsell 5y8/0.5 Approx.)
DIMENSIONS	233(W) × 57.5(H) × 138(D) mm, Microphone length 301mm
MASS	Approx. 1.3kg
ADDITIONAL FEATURE	Remote Switch for all speakers × 1, Channels switch × 10 Chime switch (Tone up & down) × 1, Talk switch × 1, Broadcast control output × 1
INDICATORS	Power: 1 (red), Operation display: 1 (green)
ACCESSORY	Instruction manual



UNIT: mm

BUSINESS

JD07

Subject to change for improvement without notice.

製造元 日本電音株式会社 販売元 ユニペックス株式会社