

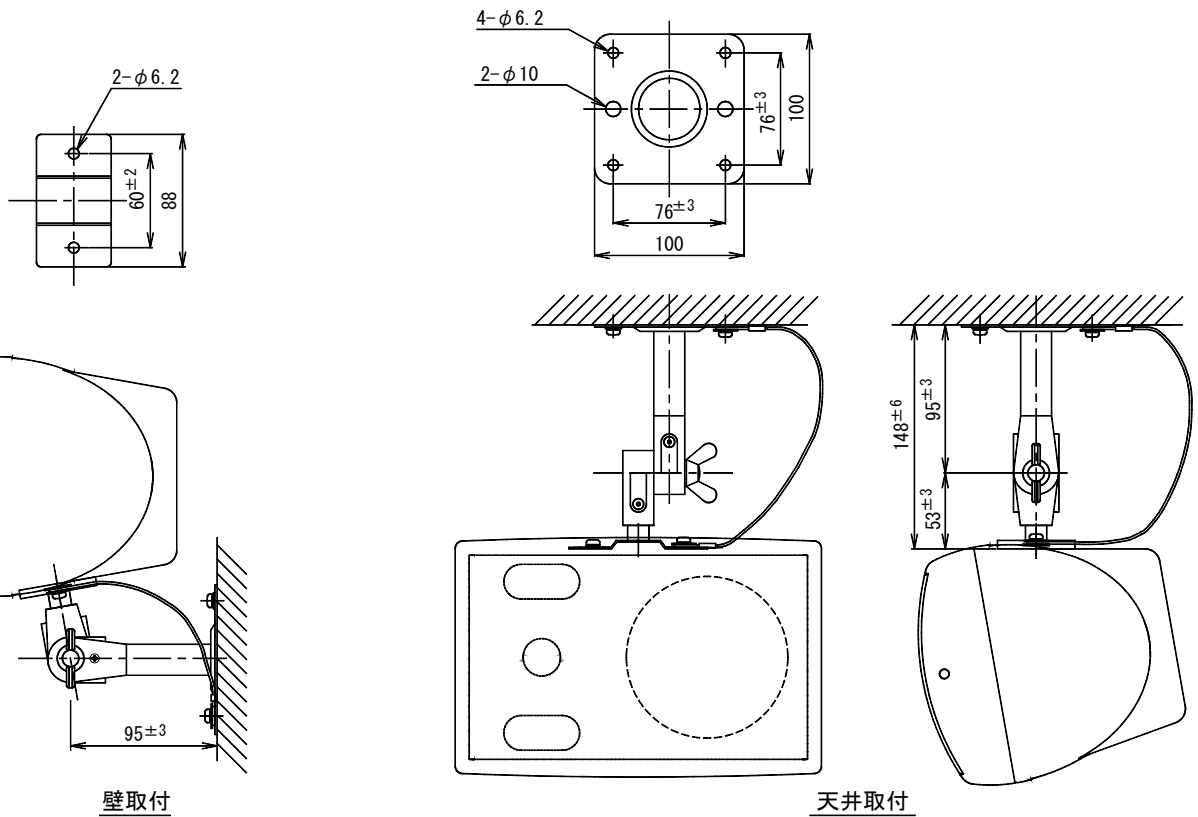
Specification

UNI-PEX

CRB SERIES CEILING/WALL BRACKET

SA-701BC

FINISH	(STEEL): Semi-matt black
MASS	Approx. 680g
APPLICABLE SPEAKER	Compact 2-way speaker CRB series
ACCESSORY	Bolt(M5 × 12) × 2, φ 5 Washer(small) × 1, φ 5 Washer(Large) × 2, φ 5 Spring washer × 2, Hexagonal wrench × 1, Safety wire × 1



壁取付

天井取付

Unit: mm

BUSINESS

AA01

Subject to change for improvement without notice.

製造元 日本電音株式会社 販売元 ユニペックス株式会社