

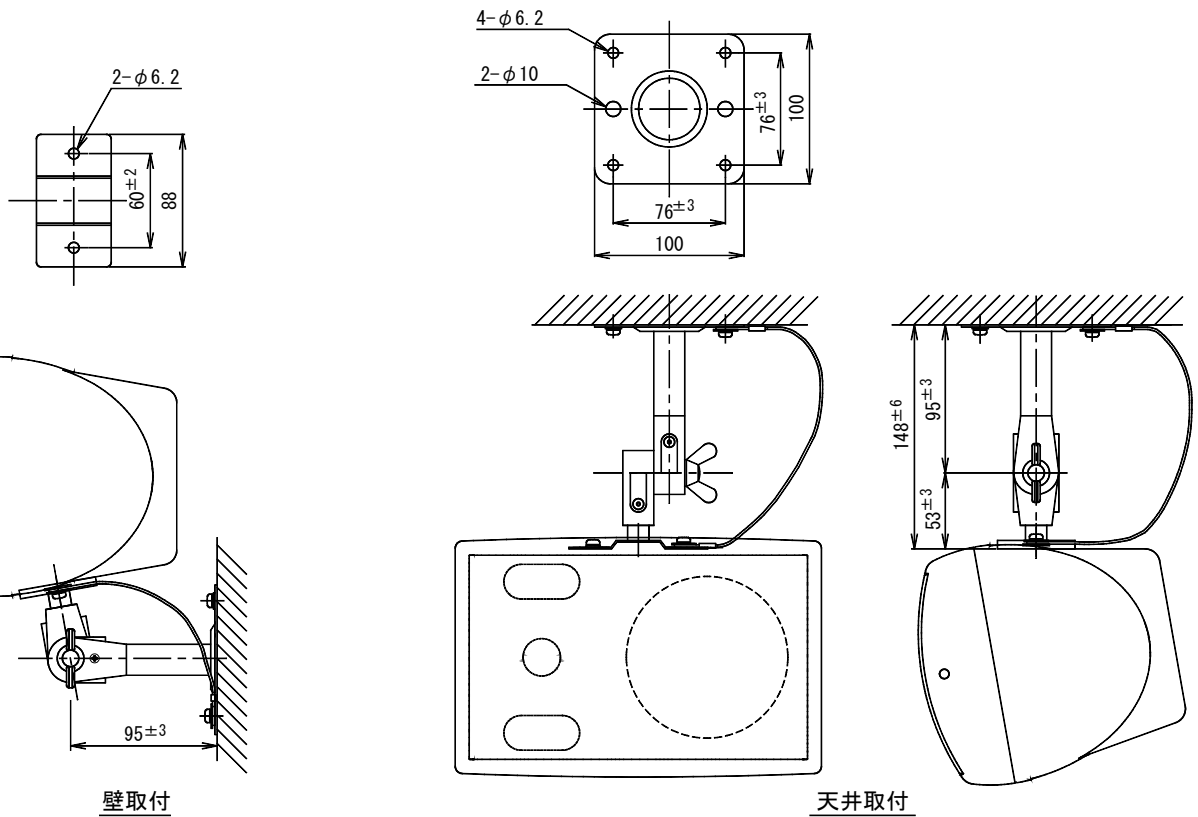
Specification

UNI-PEX

CRB SERIES CEILING/WALL BRACKET

SA-701WC

FINISH (STEEL): Semi-matt white
 MASS Approx. 680g
 APPLICABLE SPEAKER Compact 2-way speaker CRB series
 ACCESSORY Bolt(M5 × 12) × 2, φ 5 Washer(small) × 1, φ 5 Washer(Large) × 2,
 φ 5 Spring washer × 2, Hexagonal wrench × 1, Safety wire × 1



壁取付

天井取付

Unit: mm

BUSINESS

AA01