

Specification

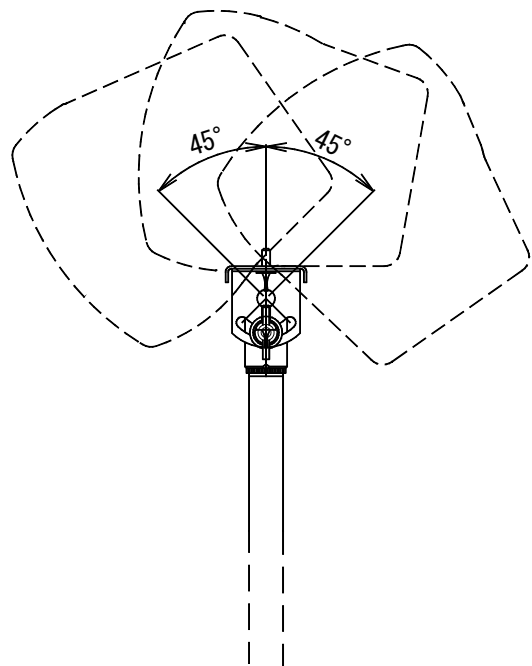
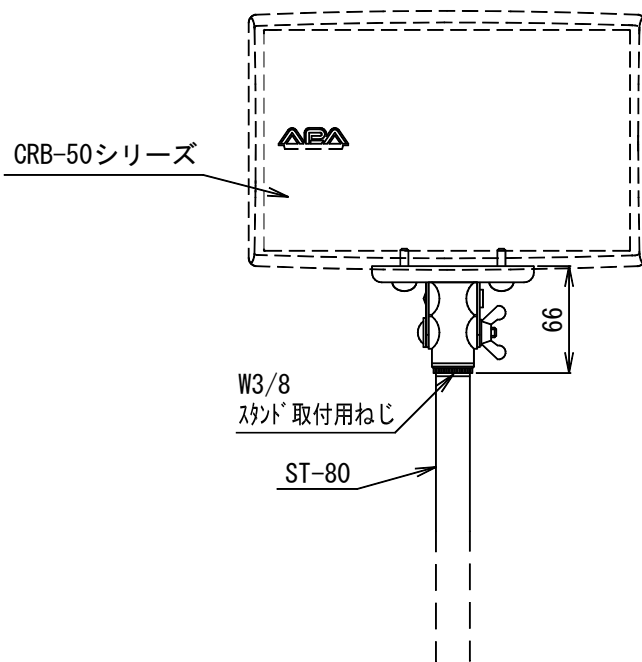
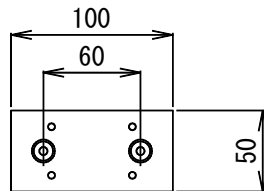
UNI-PEX

RoHS Compliance

FIXING BRACKET FOR STAND

SA-705

TILTING	90°
ALLOWABLE WEIGHT	5kg
FINISH	Black with semi-matt painting (Munsell N1 approx.)
MASS	Approx. 280g
APPLICABLE STAND	ST-80
APPLICABLE SPEAKER	CRB-50(W)、CRB-50T(W)



Unit: mm

BUSINESS

JH02

Subject to change for improvement without notice.

製造元 日本電音株式会社 販売元 ユニペックス株式会社