

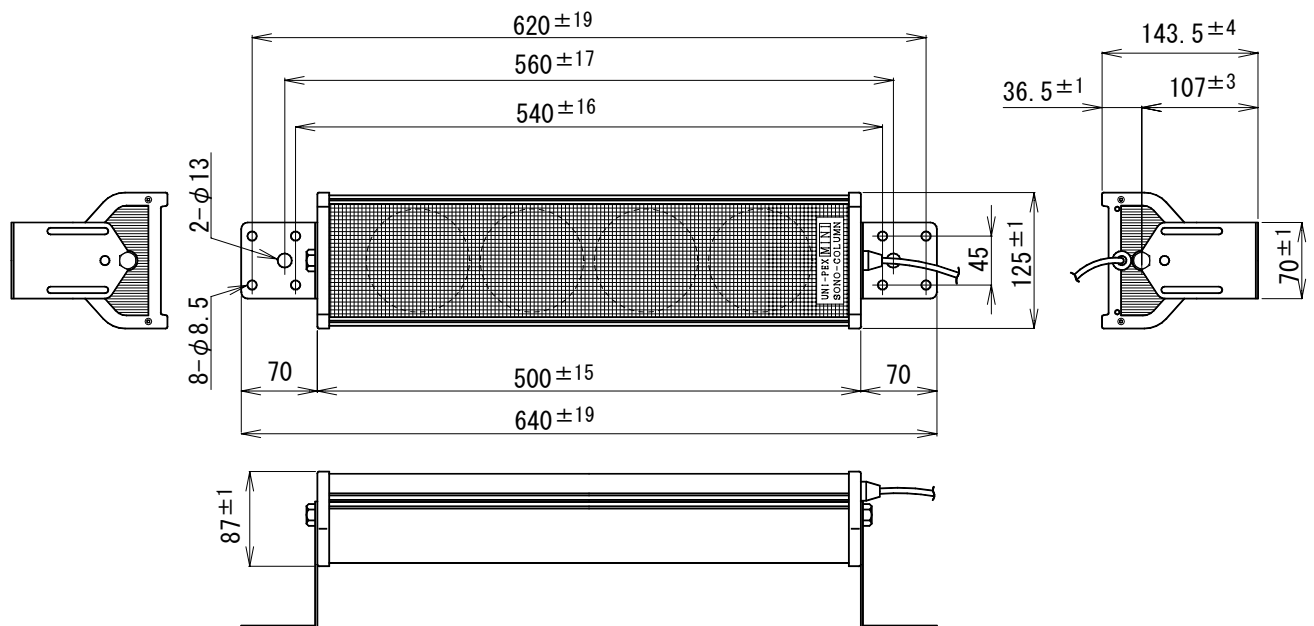
# Specification

**UNI-PEX**

## SONO-COLUMN SPEAKER

### SC-10JA

RATED INPUT	10W
IMPEDANCE	1k $\Omega$ (10W)/2k $\Omega$ (5W)/5k $\Omega$ (2W) <100V line> 8 $\Omega$
SOUND PRESSURE LEVEL	90dB(at 1m, 1W input)
FREQUENCY RESPONSE	200Hz~6kHz(Deviation 20dB)
SPEAKER COMPONENT	$\phi$ 10cm Dynamic Cone-Speaker 8 $\Omega$ $\times$ 4pcs.
FINISH	Case (Aluminum): Silver Panel (Steel, Punching metal): Dark-gray (Munsell N4.5 approx.) Cover (ABS resin): Light-gray (Munsell N5.5 approx.)
DIMENSIONS	125(W) $\times$ 500(H) $\times$ 87(D)mm
MASS	Approx. 2.2kg
ACCESSORIES	Fitting metal x 1, Screw(M5x12) x 2, Bolt(M8x18) x2



UNIT: mm

BUSINESS

J105

Subject to change for improvement without notice.

製造元 日本電音株式会社 販売元 ユニペックス株式会社