

SPEAKER STAND

ST-25

APPLICABLE SPEAKER
FINISH

DLS-80, DLS-80T, DLS-120, DLS-120T, DLS-160, DLS-160T, EWS-120

Pipe: (Aluminum), Silver (Alumite plating)

Speaker mounting plate: (Synthetic Resin), Black

The parts of tripod joint and up-and-down slide fixe: (Synthetic Resin), Black

DIMENSIONS

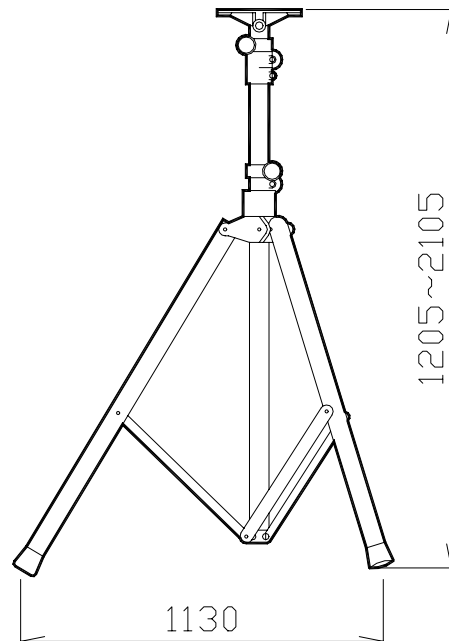
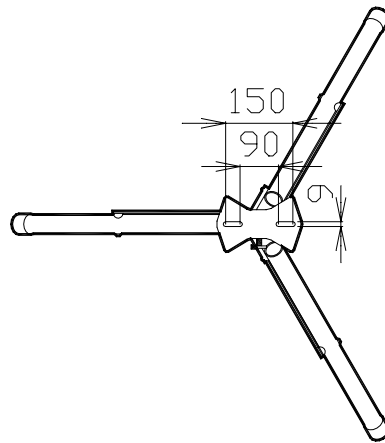
Adjustable height: 1310~2105 mm, Tripod width: ϕ 1130 mm

MASS

Approx. 3.8kg

ACCESSORIES

Bolt (M8x40) x2, Instruction manual x1



UNIT: mm

BUSINESS

JD01