

# Specification

**UNI-PEX**

## SPEAKER STAND

### ST-80

**APPLICABLE PRODUCTS**

SPEAKER: DLS-80, DLS-80T, EWS-50C

**FINISH**

MEGAPHONE: TR-920, TW-9200

Pipe: (Aluminum), Silver (Alumite plating)

Speaker mounting plate: (SPCC), Black (Semi-mat paint)

The part of tripod joint: (Synthetic Resin), Black

The part of up-and-down slide/fix: (Aluminum Die-cast), Black (semi-mat paint)

**DIMENSIONS**

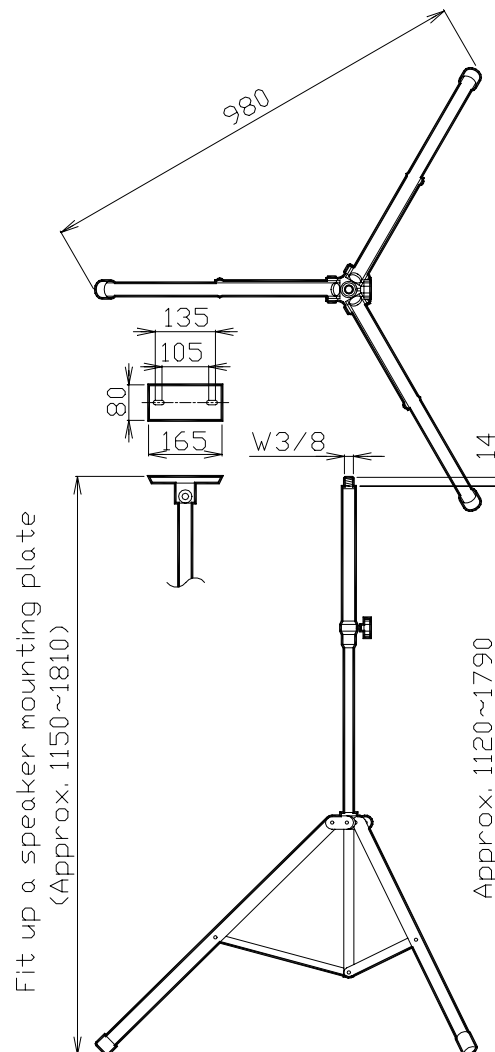
Adjustable height: 1150~1810 mm, Tripod width:  $\phi$  980 mm

**MASS**

Approx. 2.4kg

**ACCESSORIES**

Bolt (M8x30) x2, Speaker fitting plate x1, Instruction manual x1



UNIT: mm

**BUSINESS**

JD03

Subject to change for improvement without notice.

製造元 日本電音株式会社 販売元 ユニペックス株式会社