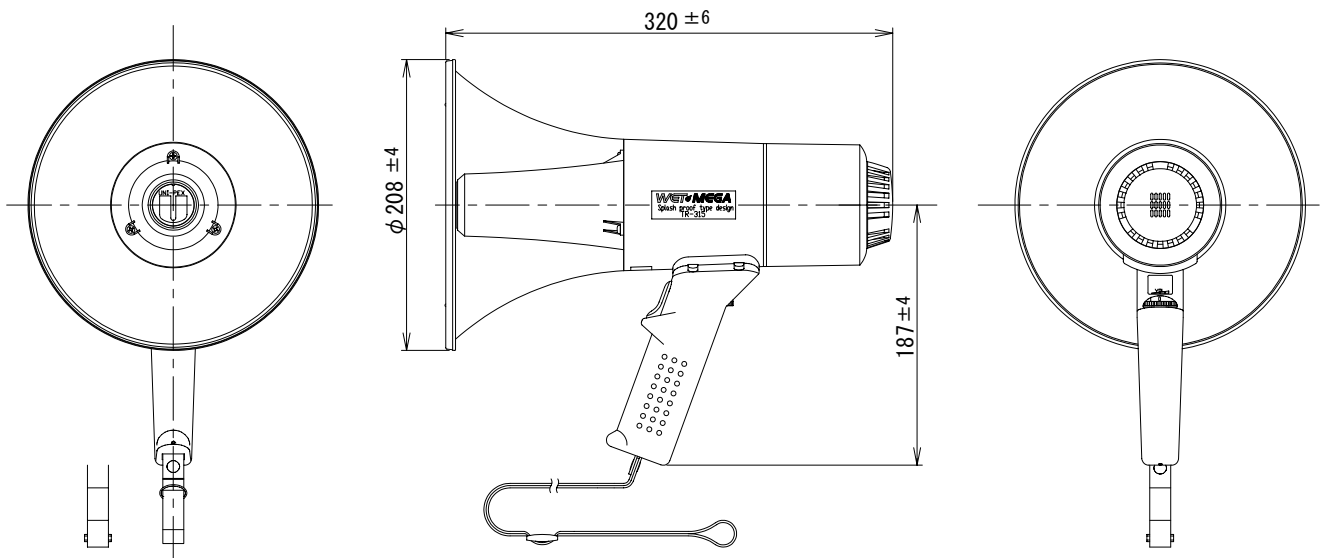


SPLASH-PROOF TYPE MEGAPHONE

TR-315

POWER SUPPLY	R14PU/C-size dry cells 6 pcs.
OUTPUT	Rated 15W, Maximum 20W
SOUND COVERAGE	Approx. 315m (JEITA)
BATTERY POWER DURATION	Approx. 18 hours (JEITA)
DIMENSIONS	φ 208mm(horn dia.) x 320mm(total length)
FINISH	Body (ASA resin): Light blue (Munsell 10B6/6) Horn mouth (ASA resin): Clear blue
MASS	Approx. 1.1kg (without batteries)
WATER PROTECTION GRADE	JIS C 0920 (=IEC 60529, IP54)
ACCESSORY	Instruction Manual X 1



UNIT: mm

BUSINESS

JH08