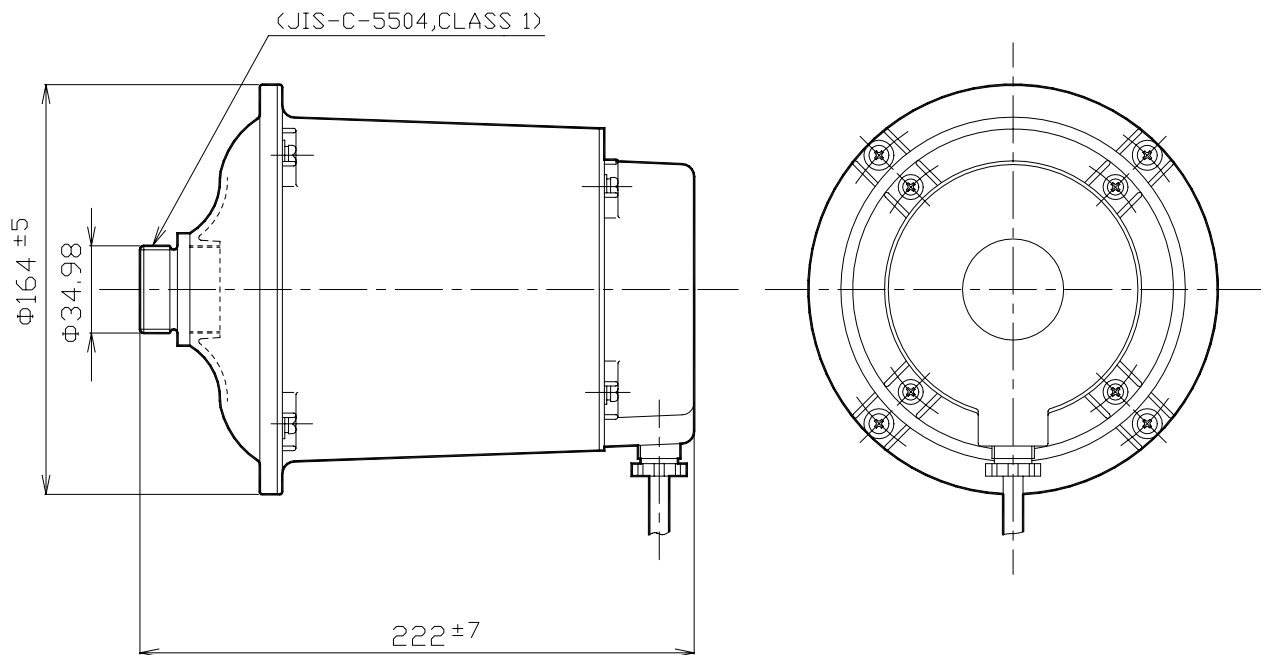


UNIT COVER

UCL-41A

APPLICABLE HORN	UNPEX Straight Horn
APPLICABLE UNIT	UNIPEX All type Driver units (Excluding P-15F)
COUPLING	φ 34.925mm (JIS C 5504, Class 1)
FINISH	Cover/Throat: (Aluminum Die-cast), Gray (Munsell N4.0 Approx.)
SCREW	Stainless Steel
MASS	Approx. 1kg
ACCESSORIES	Gland Nut (10A) × 1, Cap tire cable × 1m



UNIT: mm

BUSINESS

JD01