

No. 1

WIRELESS AMPLIFIER

WA-361A

POWER SUPPLY	AC100V 50/60Hz LR20(D-size battery) × 8, Nickel-cadmium battery (WBT-2000, 2000mAh)
RATED POWER CONSUMPTION	42W
CURRENT CONSUMPTION	AC 0.49A±10% (at 20W output) DC 0.96A±10% (at 8W output)
	[Amplifier]
OUTPUT	AC 20W(Rated output) 25W(Max.) DC 8W (Rated output)
DISTORTION	5% or less (at 1kHz, rated output)
FREQUENCY RESPONSE	70Hz~12kHz(Deviation ±3dB)
TONE CONTROL	+5dB/-10dB(at 4kHz, 1kHz basis) with tone control
INPUTS	MIC: -56dBV±3dB 600Ω Unbalanced with volume control (φ6.3 phone jack) AUX: -22dBV±3dB 10kΩ Unbalanced with volume control (RCA pin jack)
S/N RATIO	70dB or more
LINE OUTPUT	0dBV±3dB 1kΩ Unbalanced (RCA pin jack)
APPLICABLE SPEAKER	Impedance 8Ω~16Ω, Allowable input 20W or more
INDICATOR	Power: LED(Green), LED(Red, at reduced voltage) Charging: LED(Green) Protect: LED(Red) Tuner reception: LED(Red, at standby), LED(Green, at received) Abnormal: LED(Red, blinking)
SPEAKER	Woofer: φ20cm corn speaker, Tweeter: φ2.5cm balance dome
ANTENNA	Dipole antenna × 1 (Built-in)
	[Wireless tuner]
RECEIVED FREQUENCY	322.025~322.150MHz, 322.250~322.400MHz (13channels at 25kHz intervals)
RECEIVING SCHEME	PLL control super-heterodyne method
RECEIVER SENSITIVITY	20dB μV
TEMPERATURE RANGE	0°C~+40°C
FINISH	Case (ABS resin): Light gray (Munsell N7.5 approx.)
DIMENSIONS	298(W) × 460(H) × 205(D) mm
MASS	Approx. 9.4kg (excluding batteries)
ACCESSORIES	Instruction manual × 1, Battery case × 1, Channel label × 1, Setting driver × 1, Connection cable (φ3.5 stereo mini-plug ⇄ Pin plug × 2) × 1 Microphone case × 1
APPLICABLE UNIT	300MHz Single wireless tuner unit SU-350 CD Player unit CDU-102 SD recorder unit SDU-200 Nickel-cadmium battery WBT-2000

BUSINESS

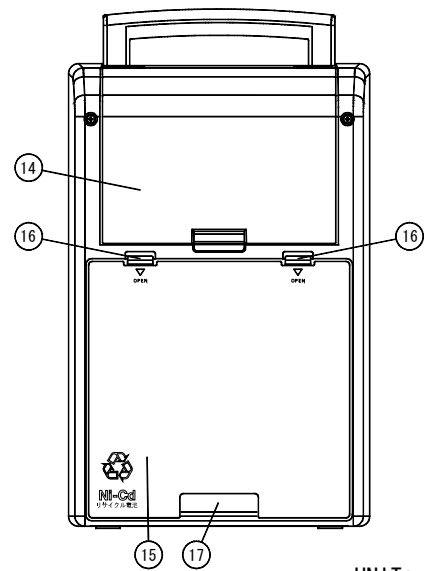
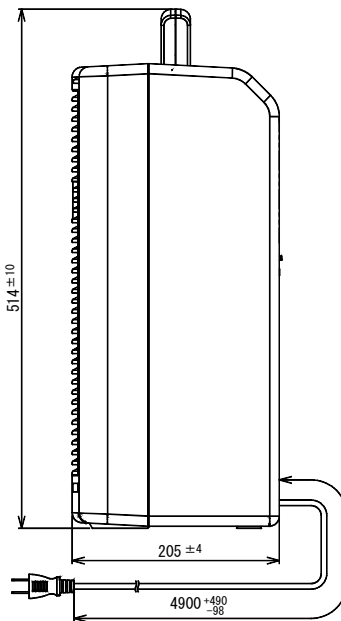
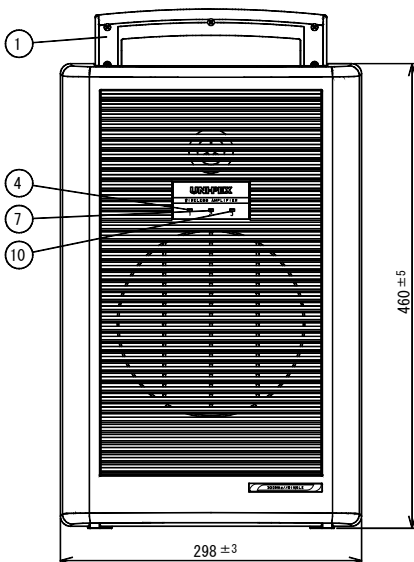
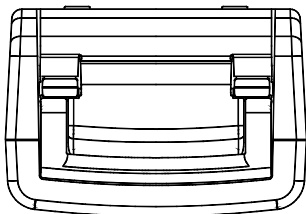
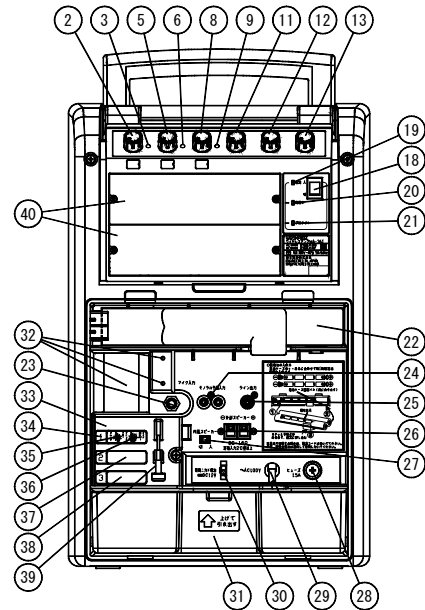
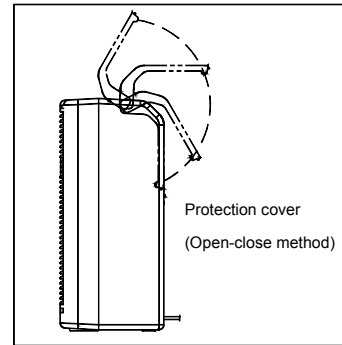
J112

Specification

UNI-PEX

No. 2

No.	NAME	No.	NAME	No.	NAME
1	Handle	16	Lid stopper	31	Microphone case
2	MIC 1 Volume control	17	Cord hole	32	Lug hole for WBT-2000
3	MIC 1 Antenna indicator	18	Power switch	33	Tuner cover
4	MIC 1 Antenna indicator	19	Power indicator	34	Wireless tuner 1
5	MIC 2 Volume control	20	Charging indicator	35	Wireless tuner 1 Group setting switch
6	MIC 2 Antenna indicator	21	Protect indicator	36	Wireless tuner 1 Channel setting switch
7	MIC 2 Antenna indicator	22	Battery case	37	Blank panel (Wireless tuner 2)
8	MIC 3 Volume control	23	MIC input jack	38	Blank panel (Wireless tuner 3)
9	MIC 3 Antenna indicator	24	AUX input jack (Monoral)	39	Tuner setting driver
10	MIC 3 Antenna indicator	25	Line output jack	40	Blank panel (Option unit)
11	Tone control	26	External speaker terminal		
12	AUX volume control	27	Built-in speaker switch		
13	MIC volume control	28	Fuse holder		
14	Protection cover	29	AC code		
15	Lid	30	Terminal for WBT-2000		



J112

BUSINESS

Subject to change for improvement without notice.

製造元 日本電音株式会社 販売元 ユニペックス株式会社